

Repair Parts Manual
for

COUNTRY
CLIPPER[®]

Zero Turn Radius Mower

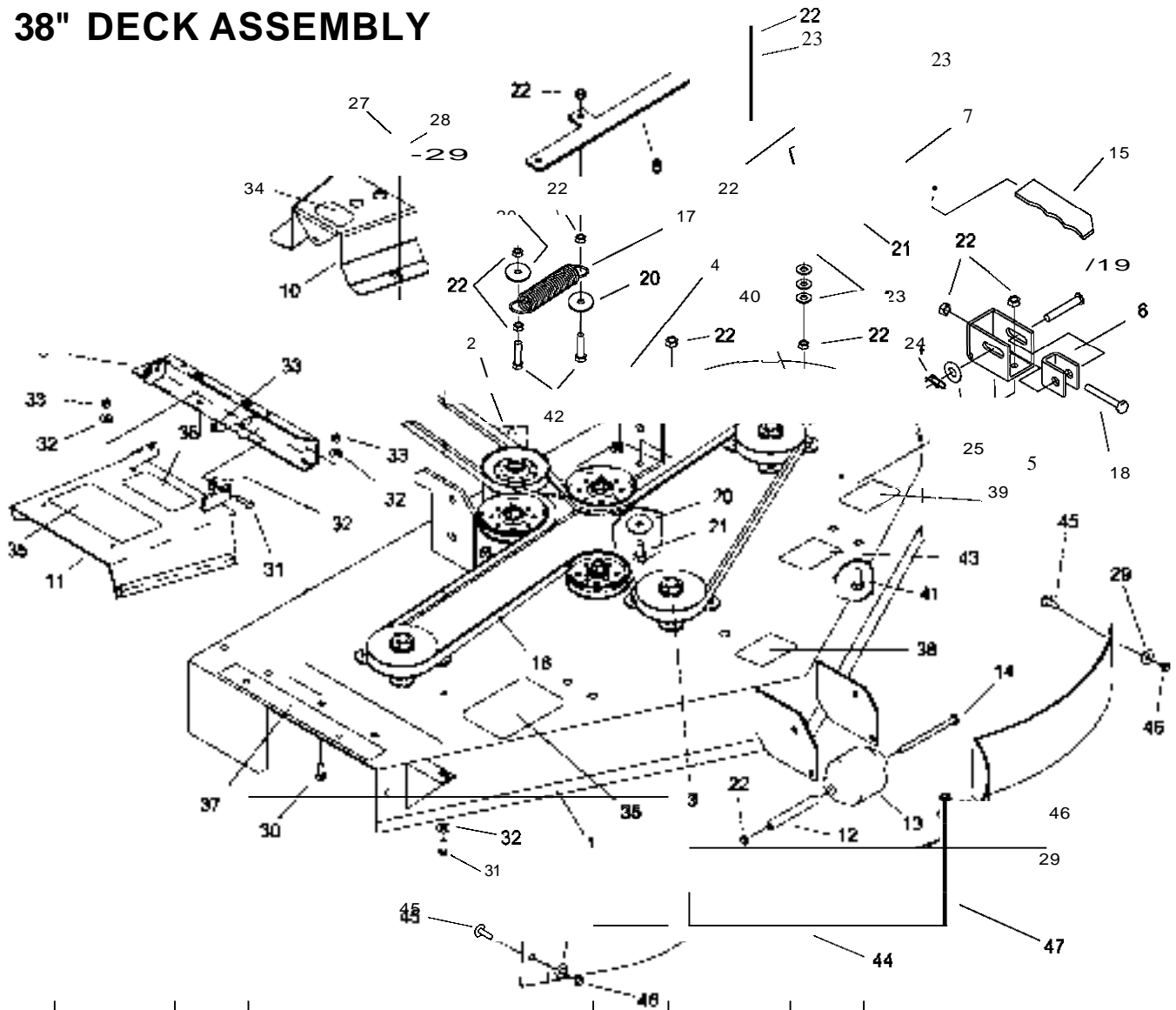
JAZZEE[®]
ONE
SR110

COUNTRY CLIPPER "JAZEE ONE" ZERO TURN RADIUS MOWER

TABLE OF CONTENTS

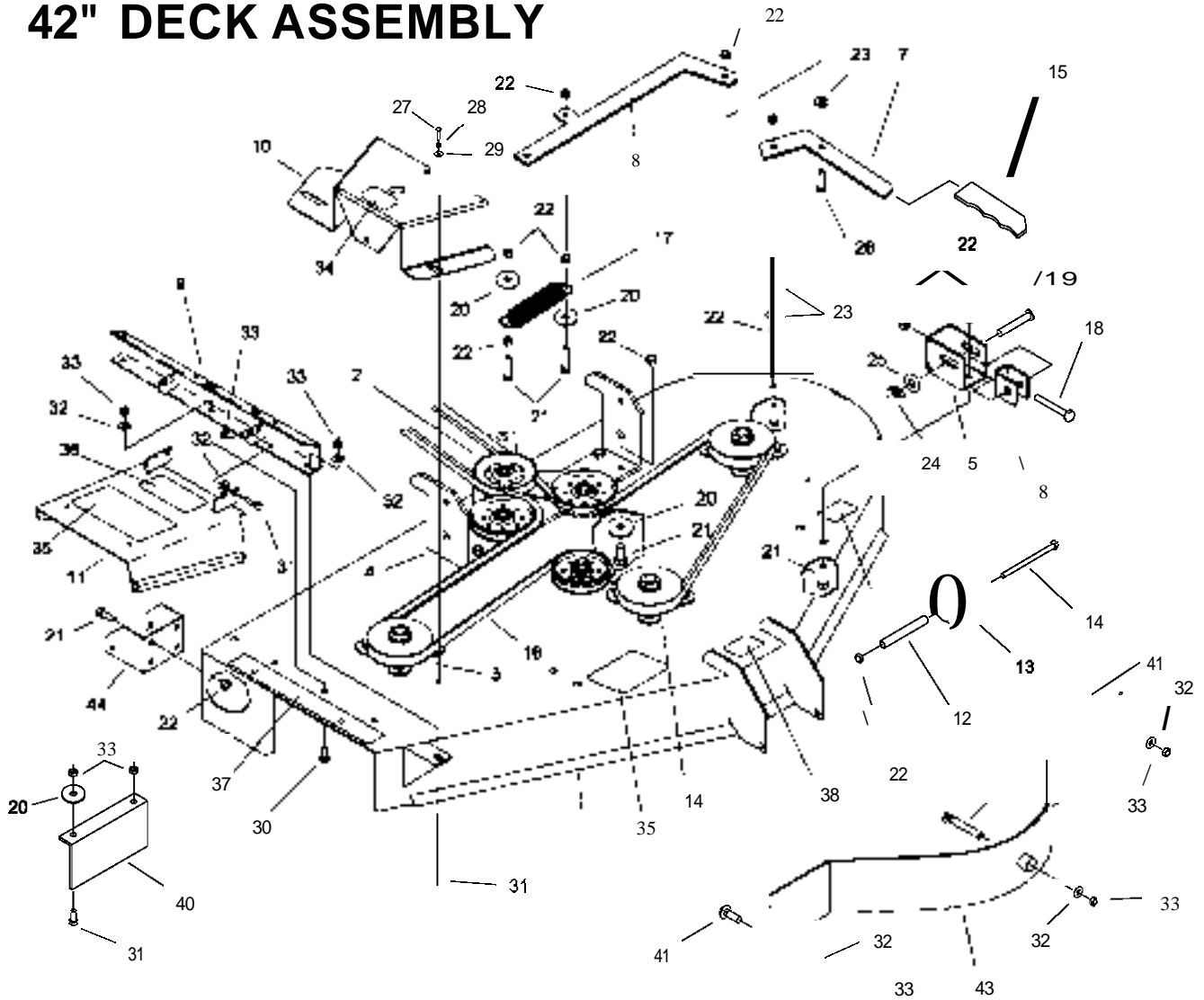
| PAGE. | CONTENTS |
|-------|-----------------------------------|
| 1 | 38" DECK ASSEMBLY |
| 2 | .42" DECK ASSEMBLY |
| 3 | .DECK SPINDLE ASSEMBLY |
| 4 | .DECK IDLER PULLEYS |
| 5 | MOTOR ASSEMBLY |
| 6 | HYDRO IDLER PULLEYS |
| 7 | HYDRO ASSEMBLY |
| 8 | DECK LIFT |
| 9 | BRAKES |
| 10 | SHIFT CONTROLS |
| 11 | JOYSTICK STEERING & RELATED PARTS |
| 12 | FUEL TANK |
| 13 | FRAME & RELATED PARTS |
| 14 | .DECK MOUNTING ASSEMBLY |
| 15 | FRONT END |
| 16 | FRONT PANEL & FENDERS |
| 17 | SEAT AND RELATED PARTS |
| 18 | WIRE HARNESS |

38" DECK ASSEMBLY



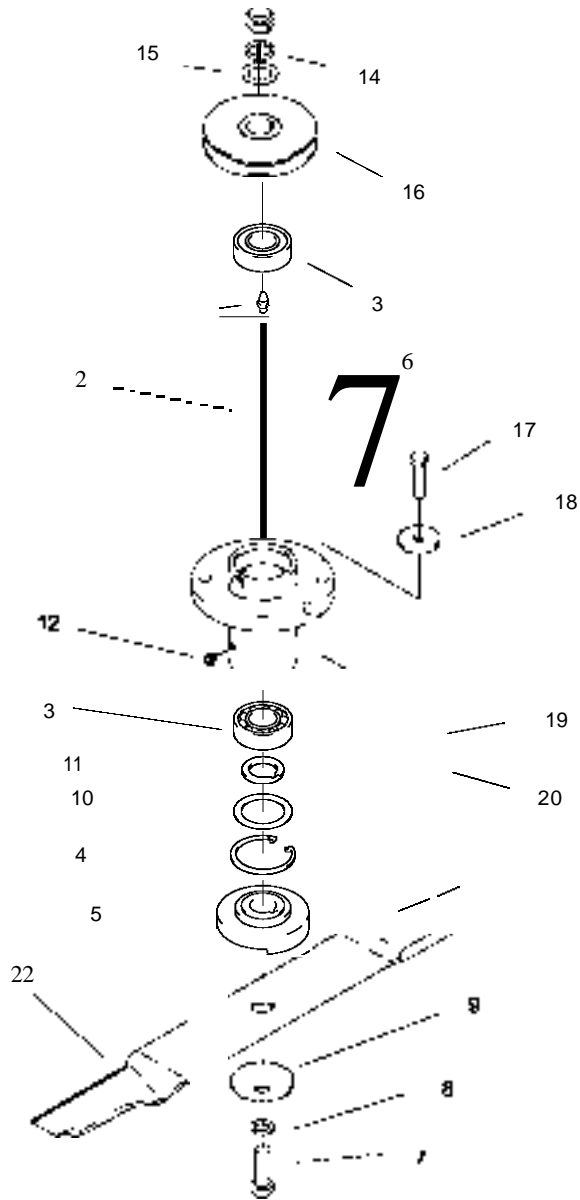
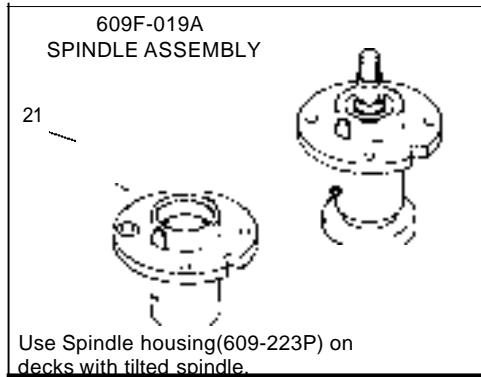
| REF NO. | PART NO. | QTY. | DESCRIPTION | REF NO. | PART NO. | QTY. | DESCRIPTION |
|---------|-----------|------|----------------------------------|---------|-----------|------|-----------------------------|
| 1 | 664D-003W | 1 | 36" DECK WIDECAL (664D-002A) | 25 | F-1521 | 2 | 1/2" WASHER |
| 2 | | 1 | SEE IDLER ARM ASSEMBLY, PAGE 4 | 26 | F-1558 | 1 | 3/8-16 X 7/8" BOLT |
| 3 | | 3 | SEE SPINDLE ASSEMBLY, PAGE 3 | 27 | F-1015-03 | 4 | 1/4-20 X 3/4" BOLT |
| 4 | 661-014P | 1 | REAR HANGER | 26 | F-1019-01 | 4 | 1/4" LOCK WASHER |
| 5 | 661-016P | 2 | FRONT HANGER | 29 | F-1009-01 | 6 | 1/4" FLAT WASHER |
| 6 | 661-015P | 2 | SHACKLE | 30 | F-1671 | 4 | CARRIAGE BOLT, 5/16 X 3/4" |
| 7 | 661-045P | 1 | BELT RELEASE HANDLE | 31 | F-1015-15 | 3 | 5/16-15 X 1" BOLT |
| 6 | 661-046P | 1 | BELT RELEASE ARM | 32 | F-1009-02 | 7 | 5/16 FLAT WASHER |
| 9 | 664-016W | 1 | OUTLET STIFFENER | 33 | F-1125 | 7 | 5/16 LOCK NUT |
| 10 | 660-046P | 2 | PULLEY COVER (WIDECALS 660-051A) | 34 | P-10935 | 2 | DECAL, "ROTATING DRIVE" |
| 11 | 649-007W | 1 | CHUTE (W/ DECALS 649-054A) | 35 | P-10941 | 2 | DECAL, "DANGER" |
| 12 | 609-163P | 3 | WHEEL BUSHING | 36 | P-10937 | 1 | DECAL, "WARNING" |
| 13 | H-1948 | 3 | ROLLER, 3-3/4 X 4-13/16 | 37 | P-10122 | 1 | DECAL, "MISSING CHUTE" |
| 14 | F-1741 | 3 | 3/8-16 X 6" BOLT | 36 | P-11413 | 1 | DECAL, "HOIST POINT" |
| 15 | H-1926 | 1 | GRIP, PLASTIC | 39 | P-10947 | 1 | DECAL, "GREASE" |
| 16 | D-3727-W | 1 | BELT, A-144 KEVLAR | 40 | F-1015-27 | 1 | 3/8-16 x 1-1/2" BOLT |
| 17 | H-2092 | 1 | SPRING | 41 | F-1008-23 | 4 | 3/8-16 x 3/4" CARRIAGE BOLT |
| 18 | F-1015-27 | 2 | 3/8-16 X 1-1/2" BOLT | 42 | F-1307 | 2 | 3/8-16 x 1-1/4" BOLT |
| 19 | F-1898 | 2 | CLEVIS PIN, 1/2 X 2-3/4" LONG | 43 | P-11933 | 1 | DECAL, DECK BELT ROUTING |
| 20 | 609-034P | 6 | WASHER | 44 | 664-024W | 1 | 36" BAFFLE WELDMENT |
| 21 | F-1394 | 4 | 3/8-16 X 1" BOLT | 45 | F-1823 | 2 | 1/4-20 x 3/4" CARRIAGE BOLT |
| 22 | F-1005-03 | 18 | 3/8-16 LOCK NUT | 46 | F-1158 | 3 | 1/4-20 STOVER NUT |
| 23 | F-1009-03 | 7 | 3/8" FLAT WASHER | 47 | F-1536 | 1 | 1/4-20 x 3/4" CAPSCREW |
| 24 | H-2239 | 2 | RUE RING, 1/2" | | | | |

42" DECK ASSEMBLY



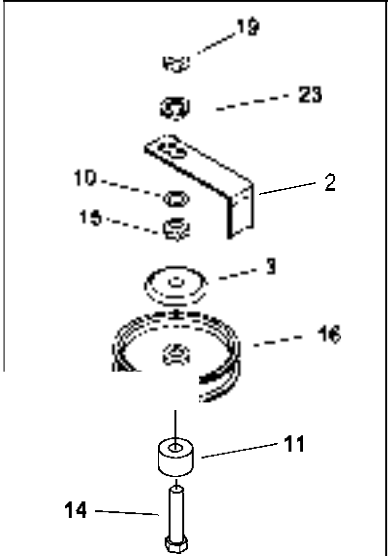
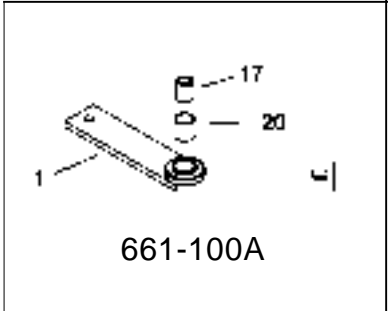
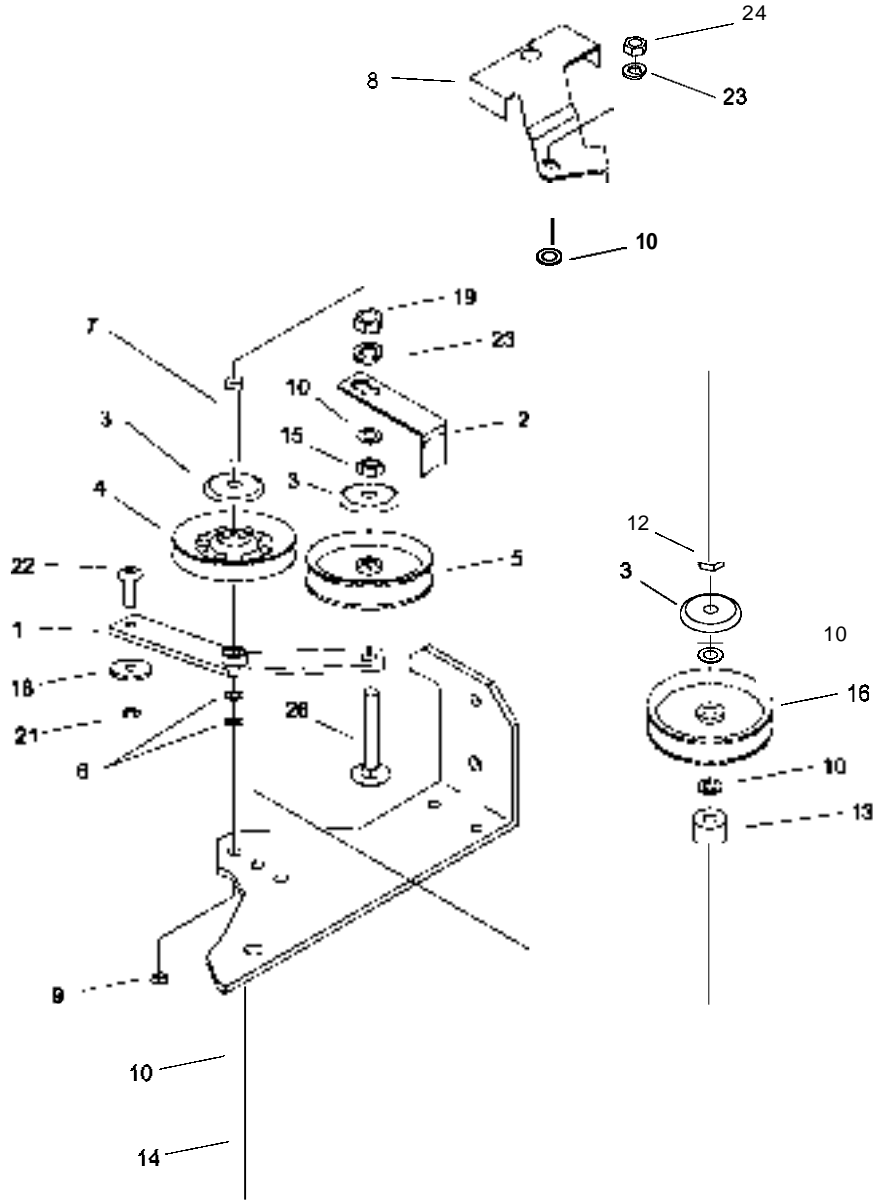
| REF NO. | PART NO. | QTY. | DESCRIPTION | REF NO. | PART NO. | QTY. | DESCRIPTION |
|---------|-----------|------|----------------------------------|---------|-----------|------|-------------------------------|
| 1 | 664-Q20A | 1 | 42" DECK WIDECAL (664E.Q02A) | 23 | F-1009.Q3 | 4 | 3/8 FLAT WASHER |
| 2 | | 1 | SEE IDLER ARM ASSEMBLY, PAGE 4 | 24 | H-2239 | 2 | RUE RING, 1/2" |
| 3 | | 3 | SEE SPINDLE ASSEMBLY, PAGE 3 | 25 | F-1521 | 2 | 1/2" WASHER |
| 4 | 661-014P | 1 | REAR HANGER | 26 | F-1558 | 1 | 3/8-16 X 7/8" BOLT |
| 5 | 661-016P | 2 | FRONT HANGER | 27 | F-1538 | 4 | 1/4-20 X 3/4" BOLT |
| 6 | 661-015P | 2 | SHACKLE | 28 | F-1019.Q1 | 4 | 1/4" LOCK WASHER |
| 7 | 661-045P | 1 | BELT RELEASE HANDLE | 29 | F-1009.Q1 | 4 | 1/4" FLAT WASHER |
| 8 | 661-046P | 1 | BELT RELEASE ARM | 30 | F-1671 | 4 | CARRIAGE BOLT, 5/16 X 3/4" |
| 9 | 649-012W | 1 | OUTLET STIFFENER | 31 | F-1015-15 | 5 | 5/16-15 X 1" BOLT |
| 10 | 660-052A | 2 | PULLEY COVER W/DECALS (660-047P) | 32 | F-1009.Q2 | 9 | 5/16 FLAT WASHER |
| 11 | 649-054A | 1 | CHUTE W/ DECALS (649.Q07W) | 33 | F-1125 | 12 | 5/16 LOCK NUT |
| 12 | 609-183P | 3 | WHEEL BUSHING | 34 | P-I0935 | 2 | DECAL, "ROTATING DRIVE" |
| 13 | H-1948 | 3 | ROLLER, 3-3/4 X 4-13/16 | 35 | P-I0941 | 2 | DECAL, "DANGER" |
| 14 | F-1741 | 3 | 3/8-16 X 6" BOLT | 36 | P-I0937 | 1 | DECAL, "WARNING" |
| 15 | H-1926 | 1 | GRIP, PLASTIC | 37 | P-I0122 | 1 | DECAL, "MISSING CHUTE" |
| 16 | D-3733 | 1 | BELT, A-158" KEVLAR | 38 | P-11413 | 1 | DECAL, "HOIST POINT" |
| 17 | H-2092 | 1 | SPRING | 39 | P-I0947 | 1 | DECAL, "GREASE" |
| 18 | F-1015-27 | 2 | 3/8-16 X 1-1/2" BOLT | 40 | 651-023P | 1 | AIR BAFFLE |
| 19 | F-1898 | 2 | CLEVIS PIN, 1/2 X 2-3/4" LONG | 41 | F-1823 | 2 | 1/4-20 X 3/4" CARRIAGE BOLT |
| 20 | 609.Q34P | 7 | WASHER | 42 | F-1935 | 1 | 1/4-20 X 1-1/2" CARRIAGE BOLT |
| 21 | F-1394 | 18 | 3/8-16 X 1" BOLT | 43 | 651-022W | 1 | DUST BAFFLE |
| 22 | F-1005-03 | 28 | 3/6-16 LOCK NUT | 44 | 609-182P | 2 | SCALPER BRACKET |

DECK SPINDLE ASSEMBLY



| REF NO. | PART NO. | QTY. | DESCRIPTION | REF NO. | PART NO. | QTY. | DESCRIPTION |
|---------|-----------------|------|----------------------------|------------------------|-----------|------|--------------------------------|
| | 660-045A | 1 | SPINDLE ASSEMBLY | 16 | 609-266P | 1 | PULLEY, 1 GROOVE |
| 1 | H-1056 | 1 | GREASE FITTING | 17 | F-1572 | 4 | 3/8-24 X 1-112" HHCS GR. 5 |
| 2 | 609-162P | 1 | SPINDLE SHAFT | 18 | 609-034P | 4 | SPINDLE SPACER REINFORCEMENT |
| 3 | D-3058 | 2 | BEARING, #6205-2RS | 19 | F-1019-03 | 4 | 3/8" LOCK WASHER |
| 4 | H-1893 | 1 | SNAP RING INT. 52MM | 20 | F-1573 | 4 | 3/8-24 LOCKNUT, M-F |
| 5 | 609-152P | 1 | BLADE SPACER | 21 | 629-237P | 2 | 10GAWASHER |
| 6 | D-1004-02 | 2 | KEY, WOODRUF, 114 X 3/4 | 22 | H-2423 | 1 | BLADE, 13-3/4" HIGH L. CUT 38" |
| 7 | F-1526 | 1 | 112-13 X 1-112" HHCS GR. 5 | | H-1715 | 1 | BLADE, 15" HIGH L. CUT 42" |
| 8 | F-1464 | 1 | 112" LOCK WASHER | OPTIONAL BLADES | | | |
| 9 | F-1507 | 1 | WASHER, 112" CUPPED | | H-2422 | | BLADE, 13-3/4" LOW L. CUT 38" |
| 10 | 609-151P | 1 | WASHER, SEAL | | H-2430 | | GATOR BLADE, 13-314" 38" |
| 11 | 609-073P | 1 | ARBER SPACER | | H-1665 | | BLADE, 15" LOW L. CUT 42" |
| 12 | H-2066 | 1 | GREASE VENT 5 LBS. | | H-2013 | | GATOR BLADE, 15" 42" |
| 13 | F-1461 | 1 | 3/4-16 NUT, HEX JAM | | | | |
| 14 | F-1463 | 1 | 3/4" LOCK WASHER | | | | |
| 15 | F-1510 | 1 | 3/4" WASHER, FLAT STD. | | | | |

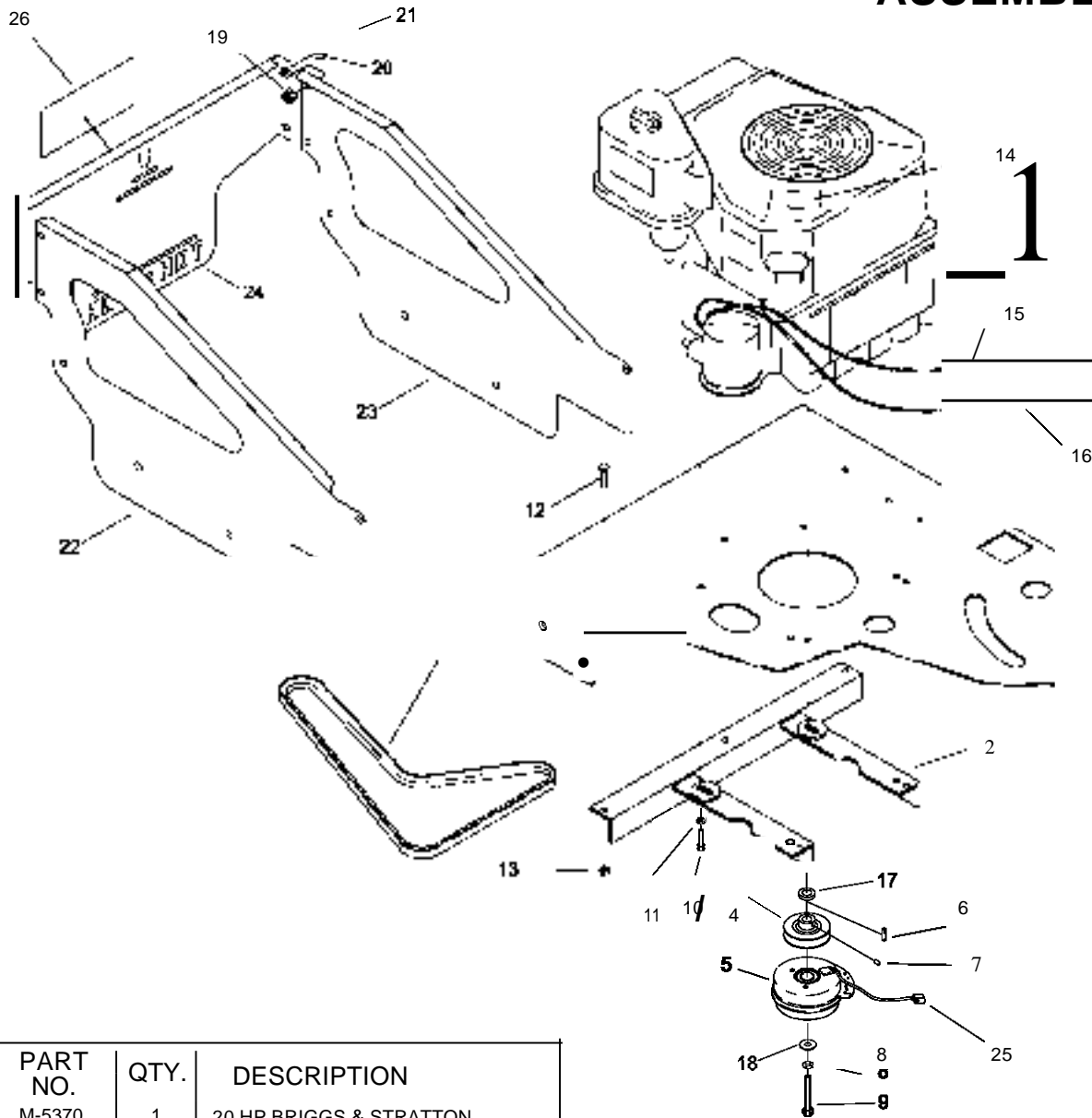
DECK IDLERS



| REF NO. | PART NO. | QTY. | DESCRIPTION |
|---------|-----------|------|--------------------------|
| 1 | 661-100A | 1 | IDLER ARM |
| 2 | 660-o84P | 2 | BELT KEEPER |
| 3 | 620-201P | 4 | BEARING CAP |
| 4 | 0-3758 | 1 | V-IDLER PULLEY |
| 5 | 0-3338 | 1 | FLAT IDLER PULLEY |
| 6 | F-1009-03 | 2 | 3/8 FLAT WASHER |
| 7 | F-1015-30 | 1 | 3/8-16 X 2-1/2" BOLT |
| 8 | 664-o26P | 1 | BELT CONTROL PLATE |
| 9 | F-1005-03 | 1 | 3/8-16 LOCK NUT |
| 10 | F-1521 | 6 | 1/2" FLAT WASHER, NARROW |
| 11 | 660-o83P | 1 | SPACER |
| 12 | F-1005-o5 | 1 | 1/2-13 LOCK NUT |
| 13 | 660-o37P | 1 | SPACER |
| 14 | F-2050 | 2 | 1/2-13 X 3-1/4" BOLT |
| 15 | F-1966 | 2 | 1/2-13 THIN NYLOC NUT |
| 16 | 0-3774 | 2 | 5" IDLER PULLEY |
| 17 | 659-024P | 1 | PIN |

| REF NO. | PART NO. | QTY. | DESCRIPTION |
|---------|-----------|------|------------------------------|
| 18 | 609-o34P | 1 | WASHER |
| 19 | F-1489 | 2 | 1/2-13 JAM NUT |
| 20 | 0-3785 | 1 | 5/8" BORE BUSHING |
| 21 | F-1125 | 1 | 5/16-18 STOVER LOCK NUT |
| 22 | F-1879 | 1 | 5/16-18 x 1-1/4 CAPSCREW |
| 23 | F-1464 | 3 | 1/2" LOCK WASHER |
| 24 | F-1011-o5 | 1 | 1/2-13 NUT |
| 25 | F-1822 | 1 | 1/2-13 X 2-1/4 CARRIAGE BOLT |

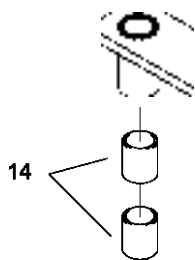
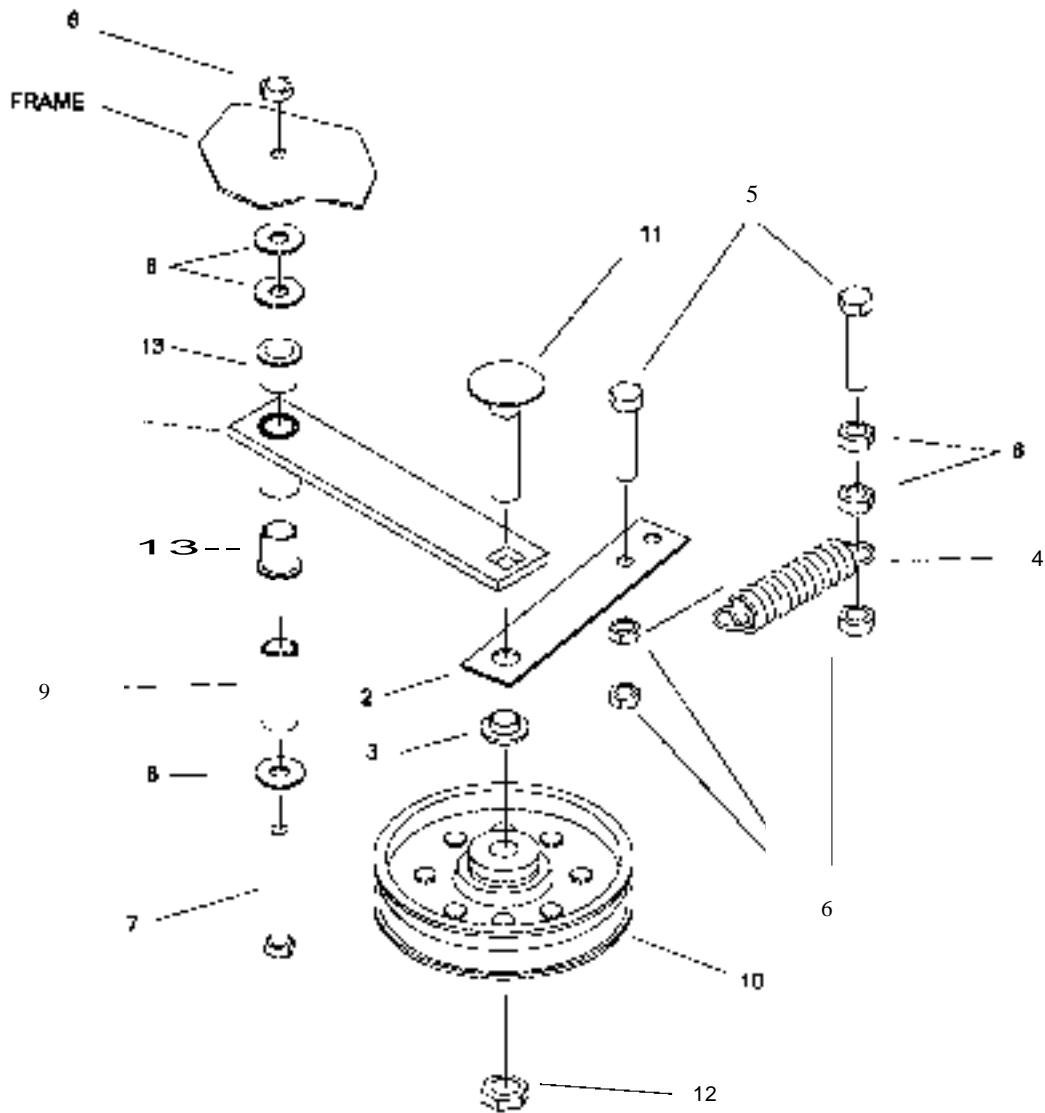
MOTOR ASSEMBLY



| REF NO. | PART NO. | QTY. | DESCRIPTION |
|---------|------------|------|-------------------------|
| 1 | M-5370 | 1 | 20 HP BRIGGS & STRATTON |
| 2 | 661-039W | 1 | MOTOR BRACE |
| 3 | 0-3754 | 1 | BELT, A-61 KEVLAR |
| 4 | 0-3726 | 1 | MOTOR PULLEY |
| 5 | E-6317 | 1 | CLUTCH |
| 6 | 621-113P | 1 | KEY |
| 7 | F-1228 | 1 | SETSCREW |
| 8 | F-1019-o4 | 1 | 7/16" LOCK WASHER |
| 9 | F-1904 | 1 | 7/16-20 x 2-112" BOLT |
| 10 | F-1015-19 | 4 | 5/16-18 x 2" BOLT |
| 11 | F-1009-o2 | 4 | 5/16" FLAT WASHER |
| 12 | F-1015-15 | 3 | 5/16-18 x 1" BOLT |
| 13 | F-1125 | 7 | 5/16" LOCK NUT |
| 14 | P-10077-11 | 1 | "CLEAN DEBRIS" DECAL |
| 15 | H-2403 | 1 | CHOKE CABLE |
| 16 | H-2402 | 1 | THROTTLE CABLE |
| 17 | 606-303P | 1 | 1" x 10 GA. WASHER |
| 18 | 806-347P | 1 | 15/32" 1.0. WASHER |
| 19 | F-1005-o3 | 4 | 3/8-16 STOVER NUT |

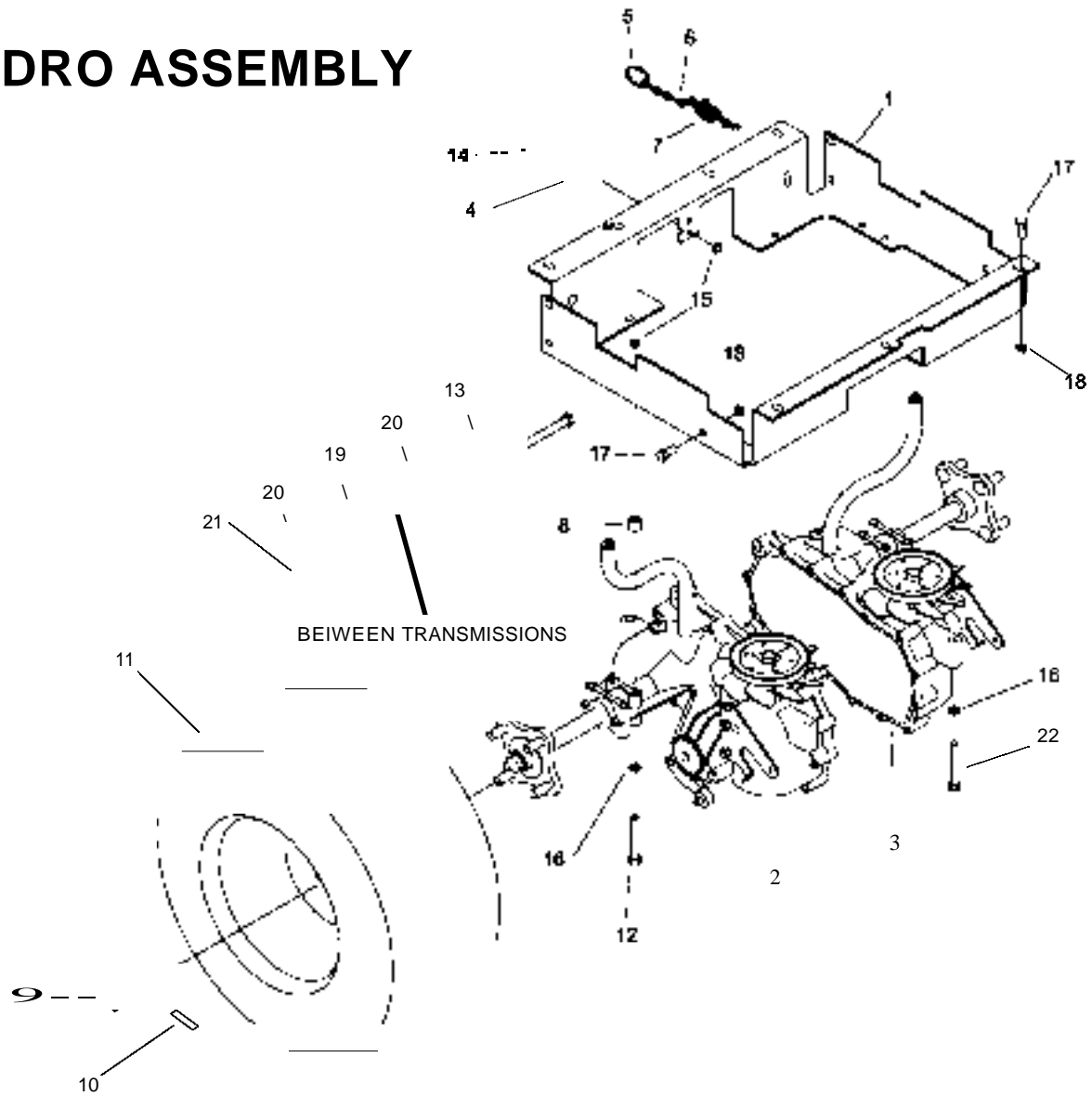
| REF NO. | PART NO. | QTY. | DESCRIPTION |
|---------|-----------|------|----------------------------|
| 20 | F-1009-03 | 4 | 3/8" FLAT WASHER |
| 21 | F-1558 | 4 | 3/8-16 x 7/8" BOLT |
| 22 | 661-085P | 1 | ENGINE GUARD RH SIDE PANEL |
| 23 | 881-086P | 1 | ENGINE GUARD LH SIDE PANEL |
| 24 | 659-135P | 1 | ENGINE GUARD REAR PANEL |
| 25 | E-6459 | 1 | CLUTCH PIGTAIL |
| 26 | P-12097 | 1 | COUNTRY CLIPPER DECAL |

HYDRO IDLER



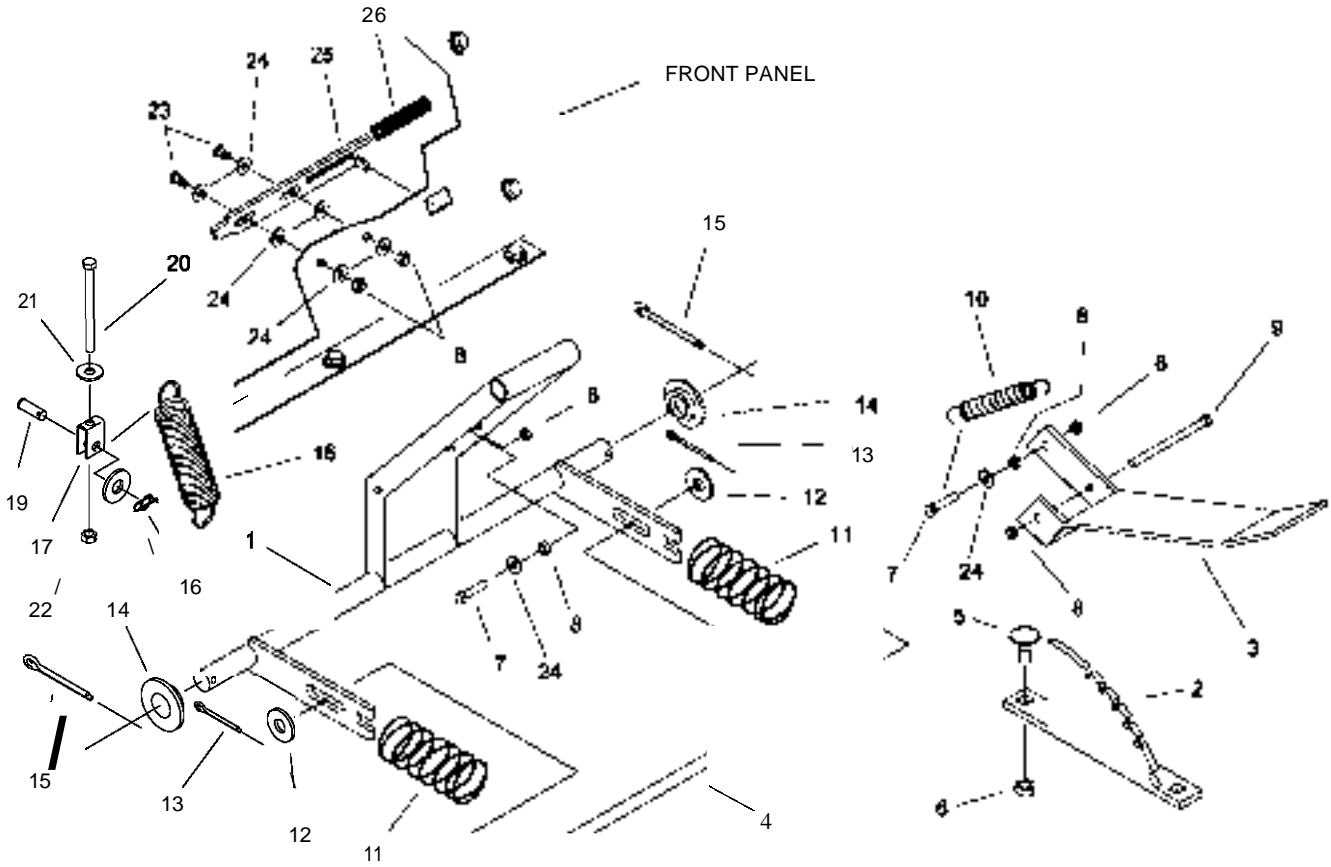
| REF NO. | PART NO. | QTY. | DESCRIPTION |
|---------|-----------|------|---------------------------------|
| 1 | 661-Q90A | 1 | 10LERARM |
| 2 | 622-047P | 1 | SPRING EXTENSION |
| 3 | 622-048P | 1 | STAND |
| 4 | H-2092 | 1 | SPRING |
| 5 | F-1879 | 2 | 5/16-18 X 1-114" BOLT |
| 6 | F-1125 | 6 | 5/16-18 LOCK NUT |
| 7 | F-1820 | 1 | 5/16-18 X 2-114" BOLT |
| 8 | F-1009-Q2 | 3 | 5/16 FLAT WASHER |
| 9 | 621-103P | 1 | PIN |
| 10 | 0-3617 | 1 | FLAT IDLER |
| 11 | F-1965 | 1 | 1 1/2-13 X 1-112" CARRIAGE BOLT |
| 12 | F-1966 | 1 | 1 1/2" THIN NUT, NYLOC |
| 13 | 0-3730 | 2 | 5/8" BORE BUSHING |
| 14 | 0-3573 | 2 | DXFBUSHING |

HYDRO ASSEMBLY



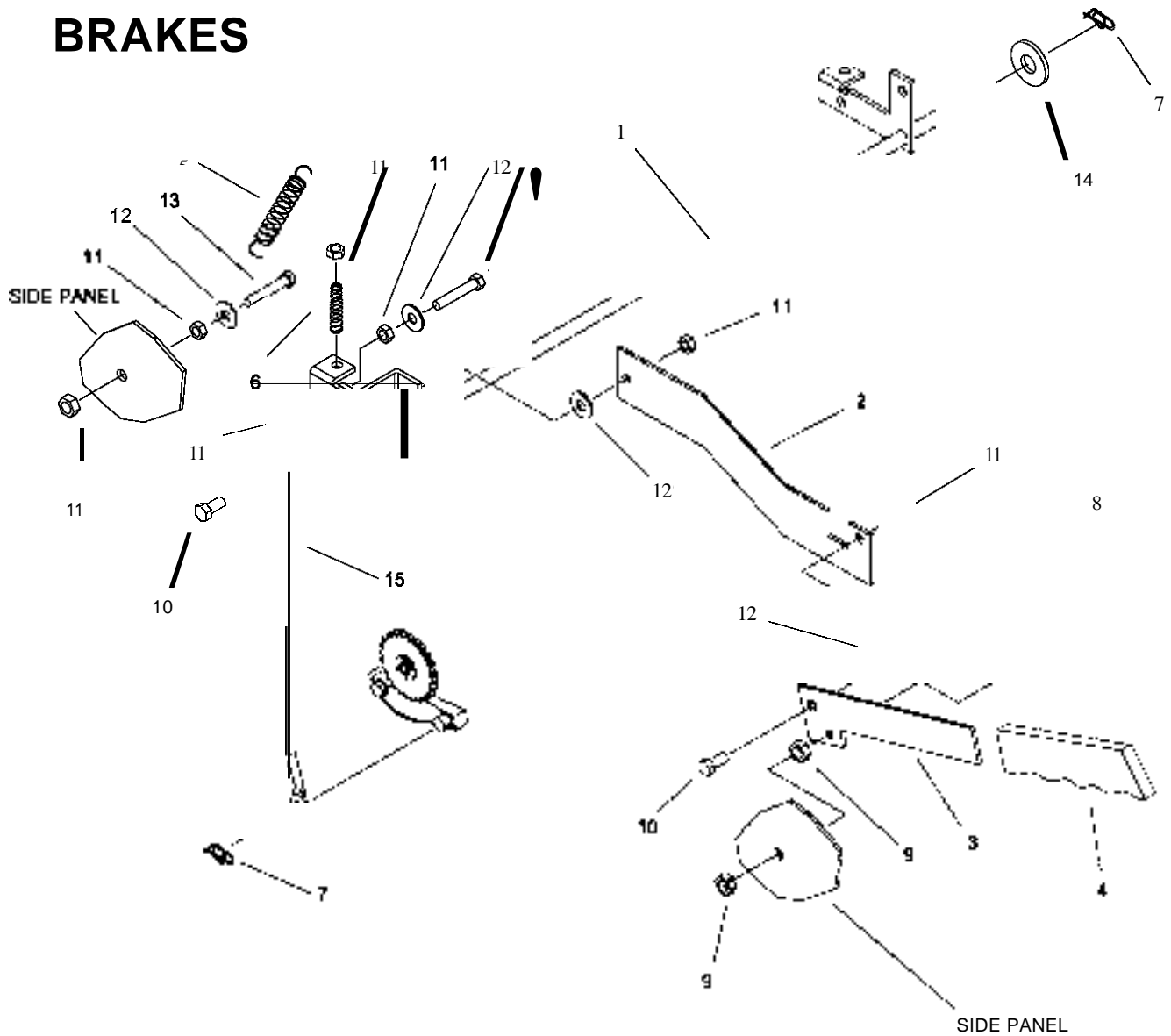
| REF NO. | PART NO. | QTY. | DESCRIPTION | REF NO. | PART NO. | QTY. | DESCRIPTION |
|---------|-----------|------|-------------------------------------|---------|-----------|------|-----------------------|
| 1 | 661-003P | 1 | HYDRO MOUNT | 21 | F-1011-04 | 3 | 7/16-14 NUT |
| 2 | 0-3783-01 | 1 | TRANSMISSION RH | 22 | F-1820 | 4 | 5/16-18 x 2-114" BOLT |
| 3 | 0-3783-02 | 1 | TRANSMISSION LH | | | | |
| 4 | 661-072W | 1 | CLUTCH STOP WELDMENT | | | | |
| 5 | H-2345 | 2 | RING | | | | |
| 6 | 661-066P | 2 | CHAIN | | | | |
| 7 | H-1319 | 2 | SPRING | | | | |
| 8 | H-2428 | 4 | SPACER | | | | |
| 9 | F-1499 | 8 | LUG NUT | | | | |
| 10 | P-11384 | 2 | DECAL, TIRE PRESSURE | | | | |
| 11 | 0-3729 | 2 | WHEELJTIRE, 18 X 8.5 X 8 (42" DECK) | | | | |
| | 0-3761 | 2 | WHEELJTIRE, 18 X 6.5 X 8 (38" DECK) | | | | |
| 12 | F-1950 | 4 | 5/16-18 X 3-1/4" BOLT | | | | |
| 13 | F-2025 | 1 | 7/16-14 X 8-1/2" BOLT | | | | |
| | F-2033 | 2 | 7/16-14 X 9-1/2" BOLT | | | | |
| 14 | F-1546 | 2 | 5/16-18 X 314" BOLT | | | | |
| 15 | F-1125 | 10 | 5/18-18 LOCK NUT | | | | |
| 16 | F-1009-02 | 8 | 5/16 LOCK WASHER | | | | |
| 17 | F-1558 | 11 | 319-16 X 7/8" BOLT | | | | |
| 18 | F-1005-03 | 11 | 3/8-16 LOCKNUT | | | | |
| 19 | 661-025P | 3 | HYDRO BRACE | | | | |
| 20 | F-1019-04 | 6 | 7/18-14 LOCK WASHER | | | | |

DECK LIFT



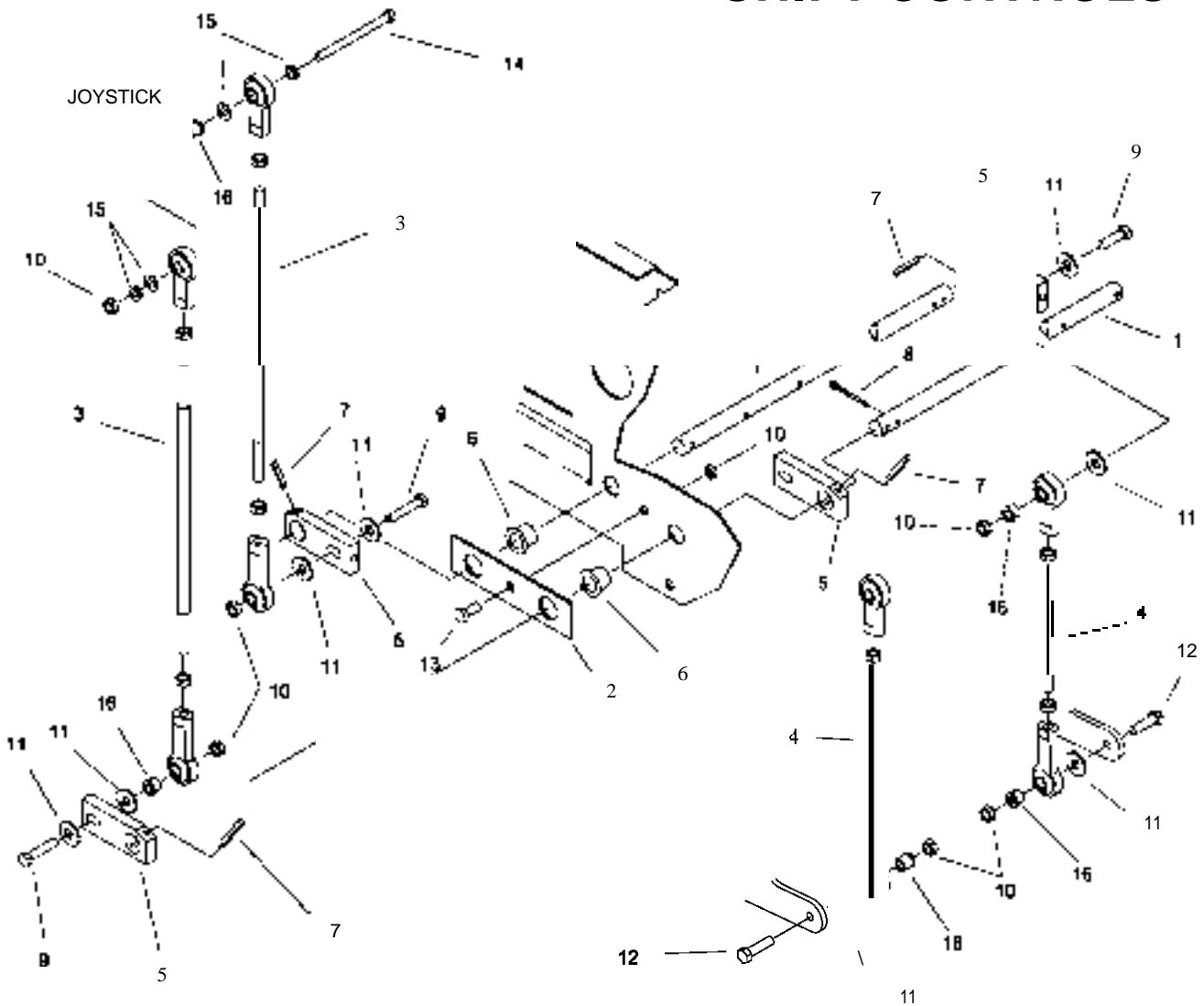
| REF NO. | PART NO. | QTY. | DESCRIPTION | REF NO. | PART NO. | QTY. | DESCRIPTION |
|---------|-----------|------|---------------------------|---------|-----------|------|----------------------------|
| 1 | 661-o13W | 1 | DECK LIFT ARM | 15 | F-1728 | 2 | COITER PIN, 3116 X 2" |
| 2 | 661-o09P | 1 | DECK ADJUSTMENT PLATE | 16 | H-21 00 | 2 | SPRING, DECK LIFT |
| 3 | 661-008P | 1 | DECK LIFT LATCH | 17 | 647-030P | 2 | YOKE |
| 4 | 661-012P | 1 | DECK LIFT ROD | 18 | F-1492 | 2 | RUE RING, 5/16" |
| 5 | F-1274 | 2 | 318-16 X 1" CARRIAGE BOLT | 19 | F-1444 | 2 | CLEVIS PIN, 318 X 1-5116" |
| 6 | F-1005-03 | 2 | 318 LOCKNUT | 20 | F-1682 | 2 | 5/16-18 X 4' |
| 7 | F-1864 | 2 | 1/4 X 1-3/4" BOLT | 21 | F-1009-02 | 2 | 5/16" FLAT WASHER |
| 8 | F-1158 | 6 | 1/4-20 LOCK NUT | 22 | F-1125 | 2 | 5/16" LOCK NUT |
| 9 | F-1020-07 | 1 | 1/4-20 X 4" BOLT | 23 | F-1916 | 2 | SHOULDER BOLT, 5/16 X 3/8" |
| 10 | H-2417 | 1 | EXTENSION SPRING | 24 | F-1009-01 | 8 | 1/4" FLAT WASHER |
| 11 | H-2425 | 2 | SPRING. 1.637 00 X 5" | 25 | 661-032P | 1 | SAFETY BAR |
| 12 | F-1521 | 2 | 112" WASHER. NARROW | 26 | H-2426 | 1 | SPRING |
| 13 | H-1376 | 2 | COITER PIN, 1/8 X 1-112" | | | | |
| 14 | H-2414 | 2 | PLASTIC BUSHING | | | | |

BRAKES



| REF NO. | PART NO. | QTY. | DESCRIPTION |
|---------|-----------|------|-----------------------|
| 1 | 661-o23W | 1 | BRAKE ROD WLDT. |
| 2 | 661-o20P | 1 | BRAKE IOCK |
| 3 | 661-021P | 1 | BRAKE HANDLE |
| 4 | H-1926 | 1 | PLASTIC GRIP |
| 5 | H-2417 | 1 | EXTENSION SPRING |
| 6 | H-1637 | 2 | COMPRESSION SPRING |
| 7 | F-1492 | 2 | RUE RING, 3/8" |
| 8 | F-1015-17 | 1 | 5/16-18 X 1-1/2" BOLT |
| 9 | F-1125 | 2 | 5/16-18 IOCK NUT |
| 10 | F-1015-02 | 2 | 1/4-20 X 3/4" BOLT |
| 11 | F-1158 | 12 | 1/4-20 IOCK NUT |
| 12 | F-1009-01 | 4 | 1/4" FLAT WASHER |
| 13 | F-1539 | 2 | 1/4-20 X 1-1/4" BOLT |
| 14 | F-1009-03 | 2 | 3/8" FLAT WASHER |
| 15 | H-2452 | 2 | BENT BRAKE LINK BAR |

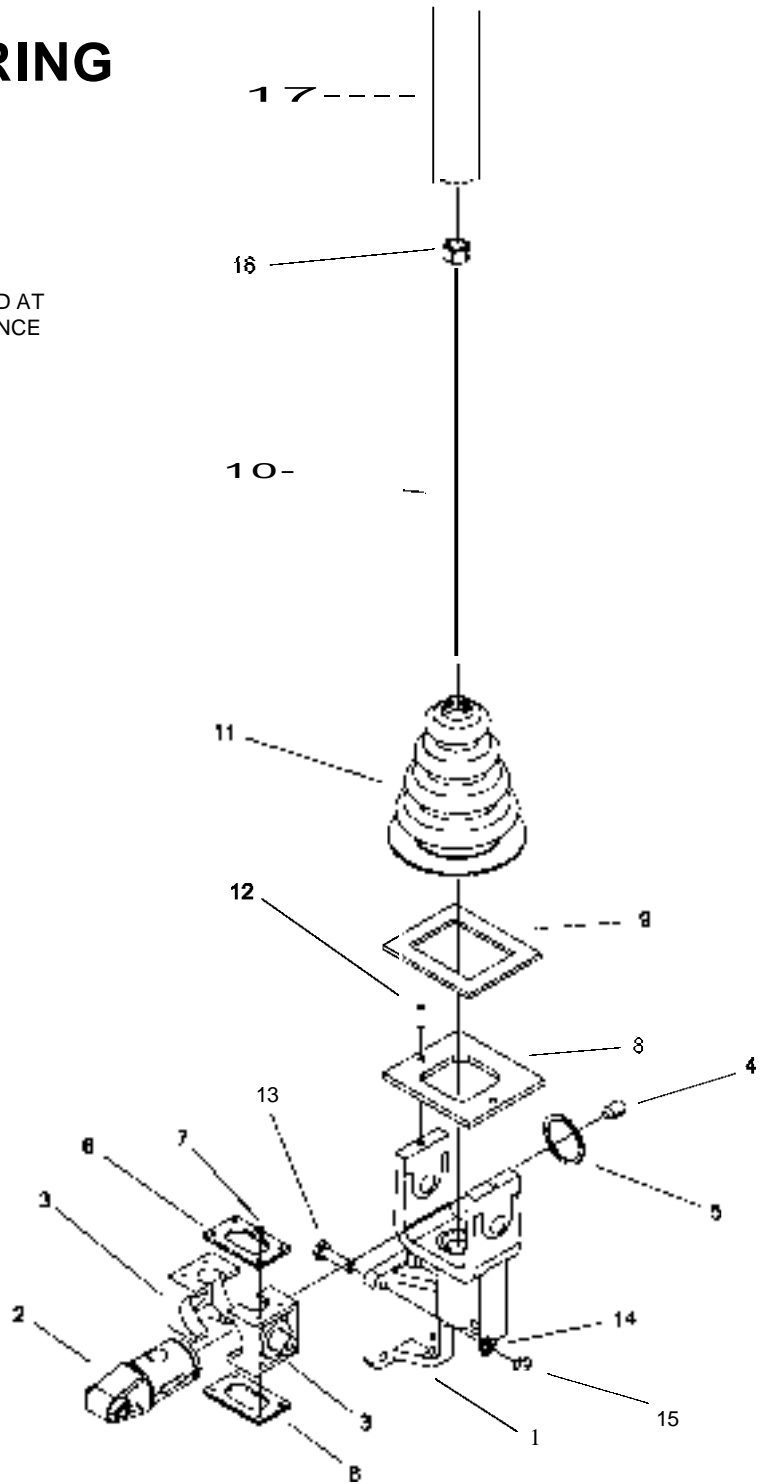
SHIFT CONTROLS



| REF NO. | PART NO. | QTY. | DESCRIPTION |
|---------|-----------|------|-----------------------|
| 1 | 661-Q28P | 2 | SHIFT ROD |
| 2 | 661-Q29P | 2 | RETAINER PLATE |
| 3 | 659-113P | 2 | LINK ROD |
| 4 | 659-127P | 2 | SHORT LINK ROD |
| 5 | 625-030P | 4 | SWIVEL ARM |
| 6 | 0-3730 | 4 | BUSHING |
| 7 | F-1503 | 4 | ROLL PIN |
| 8 | F-1376 | 4 | COTTER PIN |
| 9 | F-1710 | 4 | 1/4-20 X 1-11/2" BOLT |
| 10 | F-1158 | 9 | 1/4-20 LOCK NUT |
| 11 | F-1009-01 | 10 | 1/4" FLAT WASHER |
| 12 | F-1538 | 2 | 1/4-20 X 3/4" BOLT |
| 13 | F-1015-Q2 | 2 | 1/4-20 X 5/8" BOLT |
| 14 | F-1765 | 1 | 1/4-20 x 3" BOLT |
| 15 | H-1989 | 6 | BUSHING, BALL JOINT |
| 16 | H-2465 | 4 | 3/8 x 1/4 ADAPTER |

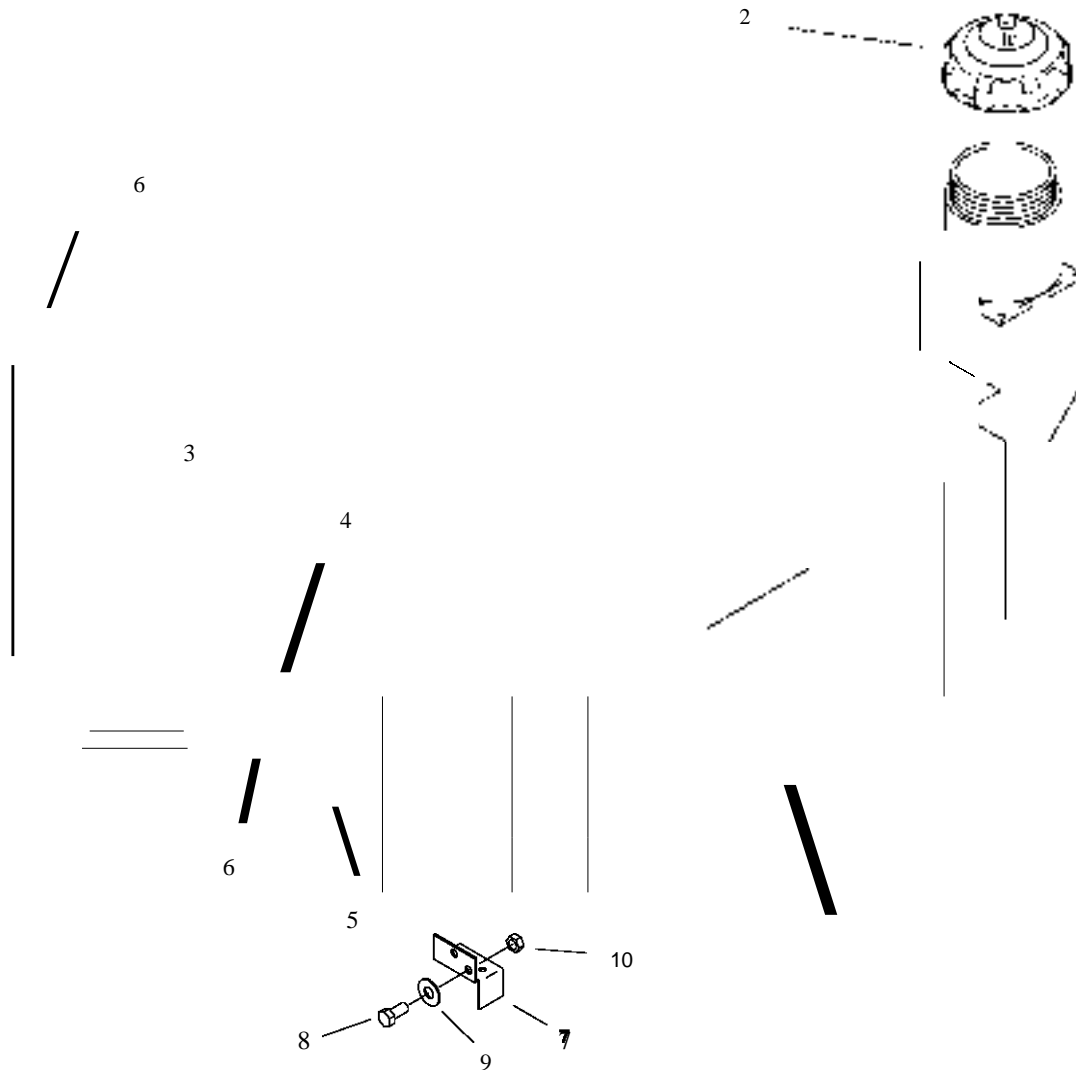
JOYSTICK STEERING CONTROL AND RELATED PARTS

NOTE: ITEMS #2 AND #3 MUST BE REPLACED AT THE SAME TIME FOR MAXIMUM PERFORMANCE



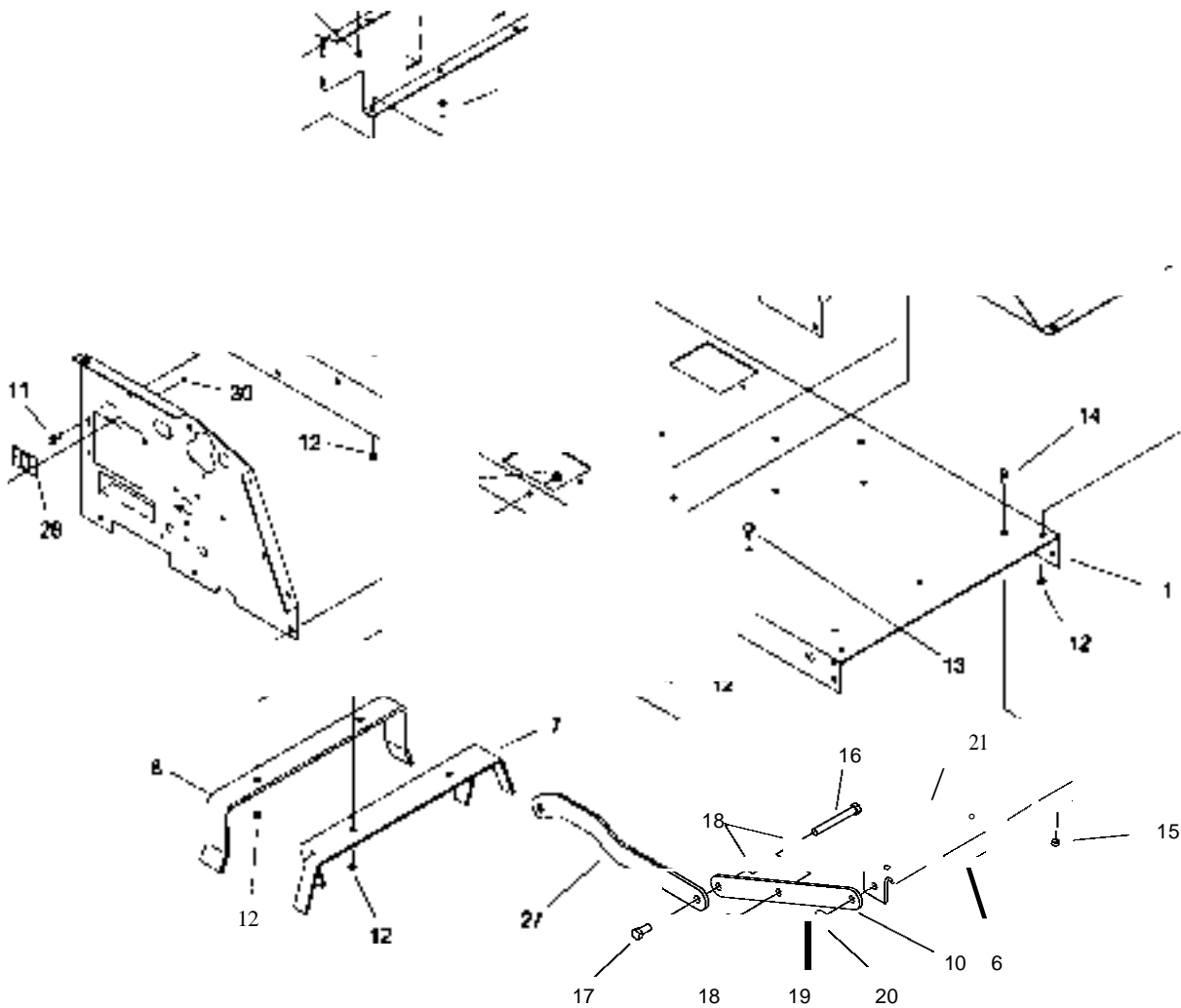
| REF NO. | PART NO. | QTY. | DESCRIPTION | REF NO. | PART NO. | QTY. | DESCRIPTION |
|---------|----------|------|-------------------------|---------|-----------|------|-------------------------|
| | 647-122A | 1 | JOYSTICK ASSEMBLY | 9 | H-1947 | 1 | GASKET, FOAM |
| 1 | 659-144P | 1 | JOYSTICK YOKE | 10 | 621-140A | 1 | JOYSTICK SHAFT ASSEMBLY |
| 2 | H-1992 | 1 | PIVOT SHAFT | 11 | H-1991 | 1 | BOOT, BELLOWS |
| 3 | H-1993 | 2 | PIVOT BLOCK | 12 | F-1999 | 2 | ROLL PIN, 3/16 X 5/8 |
| 4 | F-1120 | 1 | BALL PLUNGER | 13 | F-1015.Q5 | 3 | 1/4-20 XI" HHCS GR. 5 |
| 5 | H-1997 | 1 | SNAP RING, SPIRLOCK | 14 | F-1019.Q1 | 3 | 1/4" LOCK WASHER |
| 6 | 619-306P | 2 | PIVOT BLOCK PLATE | 15 | F-1158 | 4 | 1/4-20 LOCK NUT |
| 7 | F-1624 | 8 | #6-32 X 3/8" SCREW SLOT | 16 | F-1011-03 | 1 | 3/8-16 NUT, JAM |
| 8 | 659-129P | 1 | JOYSTICK TOP PLATE | 17 | H-2317 | 1 | GRIP, HANDLE |

FUEL TANK



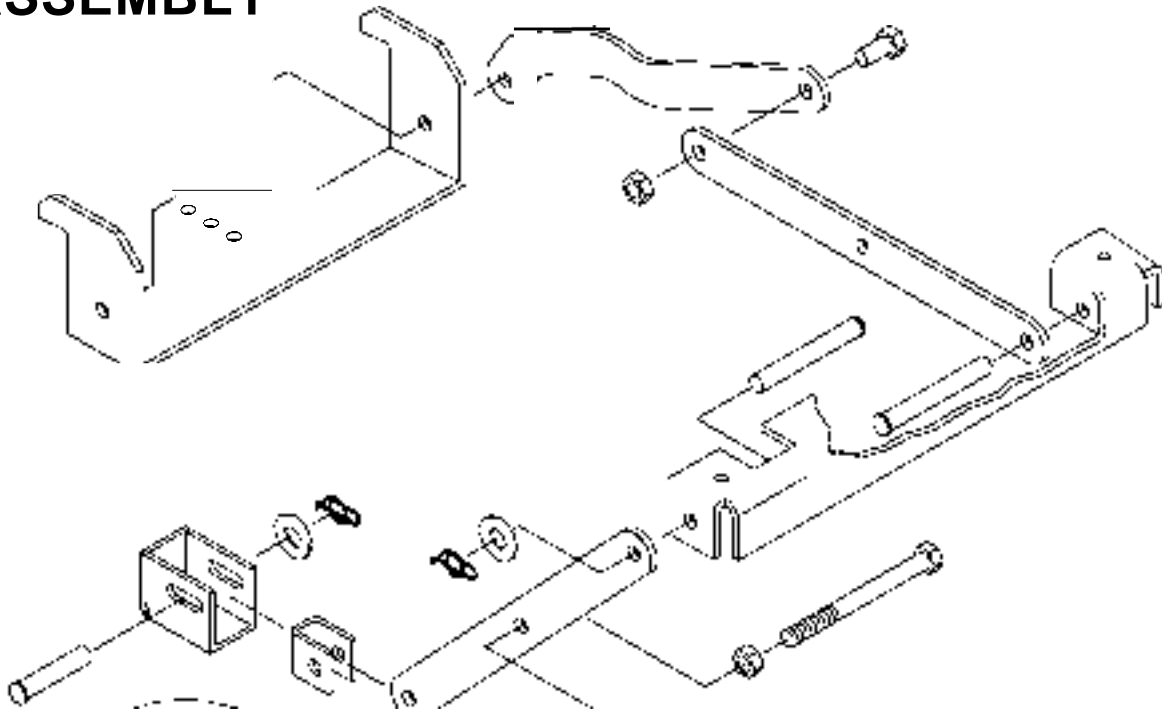
| REF NO. | PART NO. | QTY. | DESCRIPTION |
|---------|-----------|------|---------------------|
| 1 | H-2407 | 1 | FUEL TANK |
| 2 | H-2232 | 1 | FUEL CAP |
| 3 | H-1648 | 1 | FUEL LINE, 34" |
| 4 | H-1646 | 1 | HOSE BARB, 90" |
| 5 | H-1952 | 1 | HOSE CLAMP |
| 6 | H-1687 | 2 | HOSE CLAMP |
| 7 | 659-066P | 1 | CLAMP |
| 8 | F-1546 | 1 | 5/16-18 X 3/4" BOLT |
| 9 | F-1009-02 | 1 | 5/16 FLAT WASHER |
| 10 | F-1125 | 1 | LOCKNUT |

FRAME AND RELATED PARTS

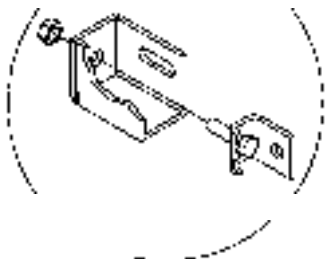


| REF NO. | PART NO. | QTY. | DESCRIPTION | REF NO. | PART NO. | QTY. | DESCRIPTION |
|---------|-----------|------|--------------------------------|---------|-----------|------|---------------------------|
| 1 | 661-002P | 1 | FRAME | 17 | F-1366 | 2 | 1/2-13 X 1-1/4" BOLT |
| 2 | 661-082P | 1 | SEAT SUPPORT | 18 | F-1005-05 | 6 | 1/2-13 LOCK NUT |
| 3 | 661-004P | 1 | SIDE PANEL, LH | 19 | H-2239 | 2 | RUE RING, 1/2" |
| 4 | 661-005P | 1 | SIDE PANEL, RH | 20 | F-1521 | 2 | 1/2"WASHER,NARROW |
| 5 | P-11787 | 1 | DECAL, JAZEE ONE | 21 | F-1890 | 2 | CLEVIS PIN, 1/2 X 3-1/2" |
| 6 | 661-018P | 1 | PIVOT PLATE | 22 | H-1920 | 3 | SPRING, SEAT |
| 7 | 661-019P | 1 | DRAG BAR LOCATOR | 23 | 620-050P | 3 | WASHER |
| 8 | 661-035P | 1 | REAR BAR LOCATOR | 24 | F-1538 | 3 | 1/4-20 X 3/4" BOLT |
| 9 | 661-062W | 1 | FOOT DECK (W/ DECALS 661-083A) | 25 | F-1158 | 3 | 1/4-20 LOCK NUT |
| 10 | 661-017P | 4 | DRAG BAR | 26 | F-1866 | 1 | U-NUT,5/16-18 |
| 11 | F-1546 | 9 | 5/16-18 X 3/4" BOLT | 27 | 661-101P | 2 | OFFSET DRAG BAR |
| 12 | F-1125 | 15 | 5/16 LOCK NUT | 28 | 661-087P | 1 | FUSE MOUNT PLATE |
| 13 | F-1671 | 6 | 5/16-18 X 3/4" CARRIAGE BOLT | 29 | F-1054 | 2 | #6-32 X 5/8 MACHINE SCREW |
| 14 | F-1558 | 11 | 3/8-16 X 7/8" BOLT | 30 | F-1535 | 2 | #6-32 NYLOC NUT |
| 15 | F-1005-03 | 11 | 3/8 LOCKNUT | | | | |
| 16 | F-1251 | 2 | 1/2-13X4" BOLT | | | | |

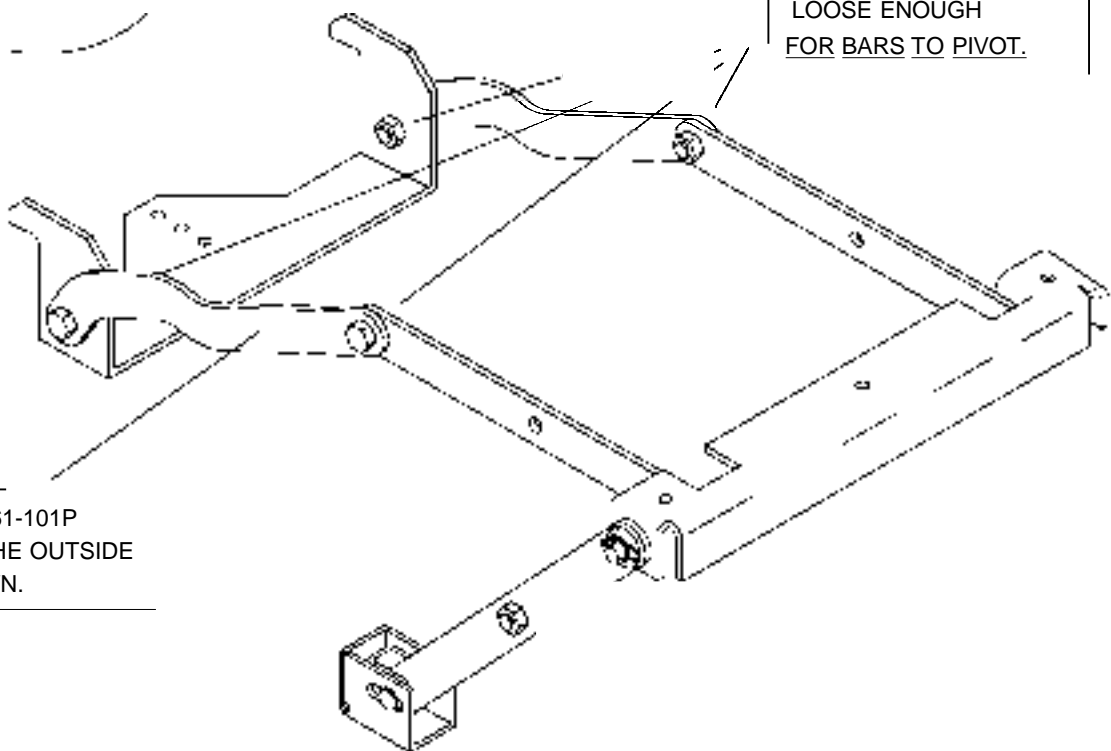
DECK MOUNTING ASSEMBLY



**ALL PART NUMBERS SHOWN
ON PAGES 1, 2, AND 13**

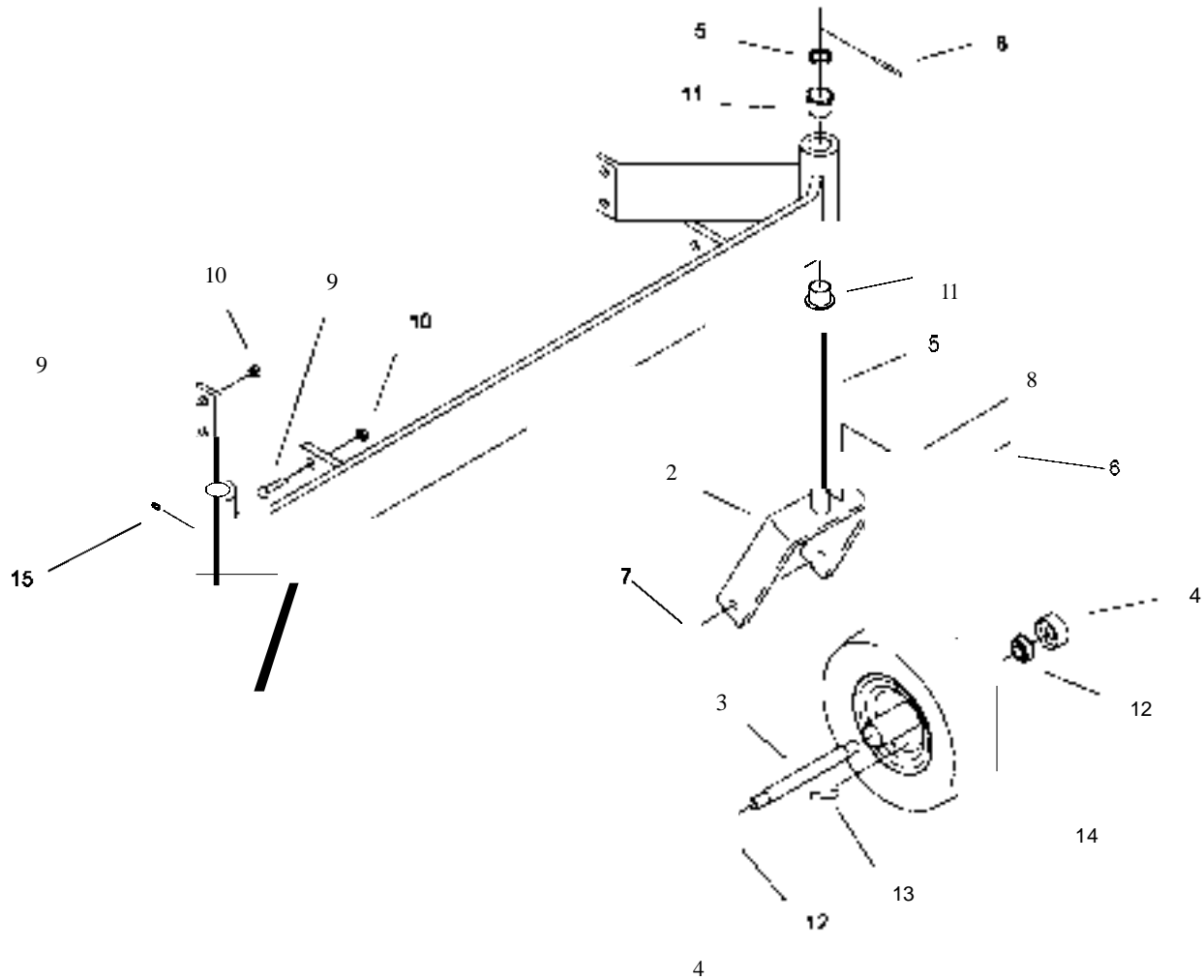


NOTE: FOUR 1/2" NUTS
LOOSE ENOUGH
FOR BARS TO PIVOT.



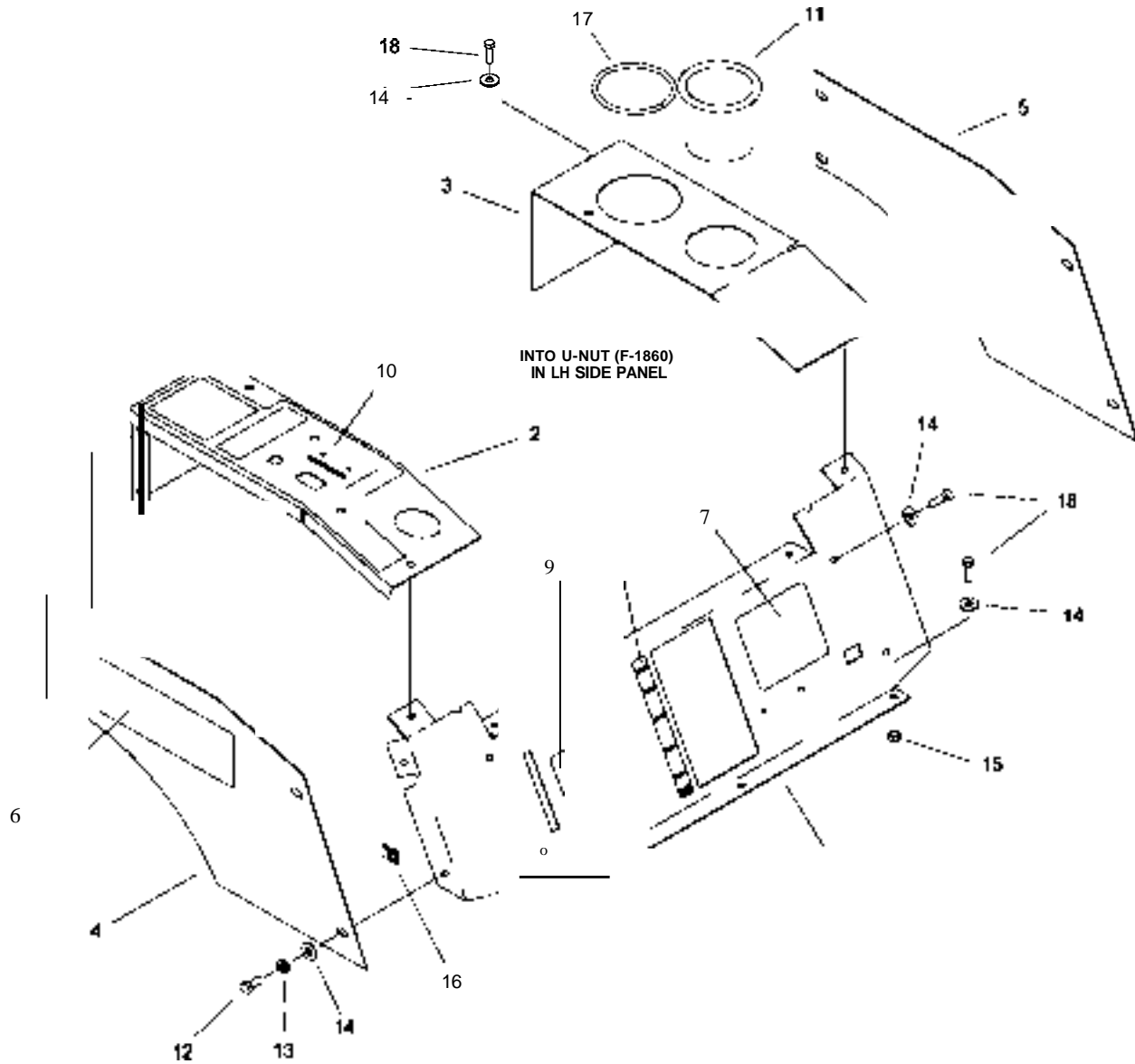
NOTE: 661-101P
GO ON THE OUTSIDE
AS SHOWN.

FRONT END



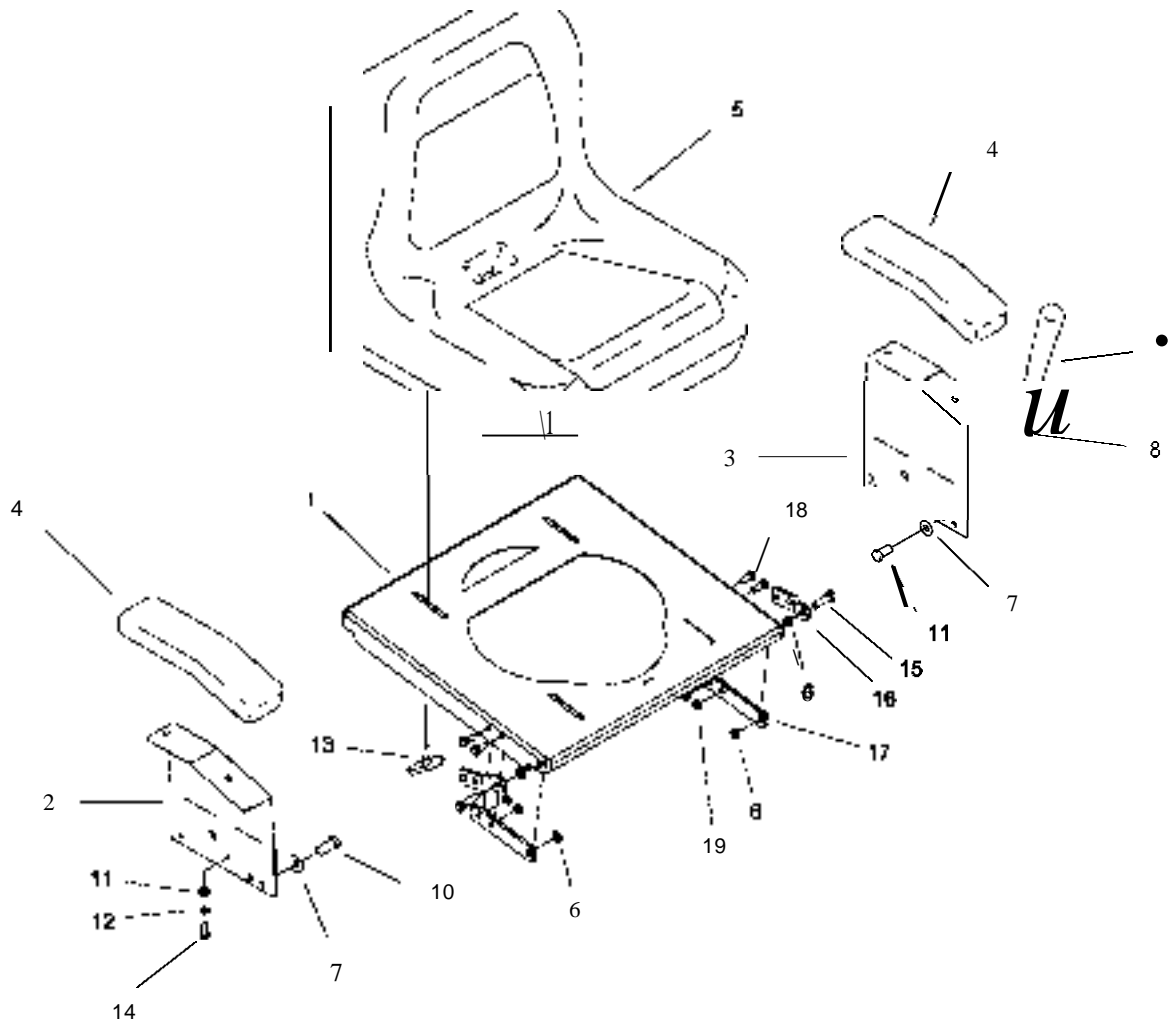
| REF NO. | PART NO. | QTY. | DESCRIPTION |
|---------|-----------|------|-------------------------------|
| 1 | 681-044W | 1 | FRONT END WELDMENT |
| 2 | 649-Q18W | 2 | CASTER YOKE |
| 3 | 622-121P | 2 | BEARING SPACER |
| 4 | 611-135P | 4 | BEARING SHIELD |
| 5 | 649-027P | 4 | THRUST WASHER |
| 6 | F-2026 | 2 | 1 1/2-13 X 6" BOLT |
| 7 | F-1005-05 | 2 | 1 1/2" LOCK NUT |
| 8 | F-1922 | 4 | ROLL PIN |
| 9 | F-1558 | 8 | 3/8-16 X 7/8" BOLT |
| 10 | F-1005-03 | 8 | 3/16-16 LOCK NUT |
| 11 | H-2350 | 4 | FLANGED BUSHING |
| 12 | D-3432 | 4 | BEARING |
| 13 | P-11384 | 2 | DECAL, TIRE PRESSURE (12 PSI) |
| 14 | D-3605 | 2 | 10" TIRE WITH RIM |
| 15 | H-1056 | 2 | GREASE FITTING |

FRONT PANEL & FENDERS



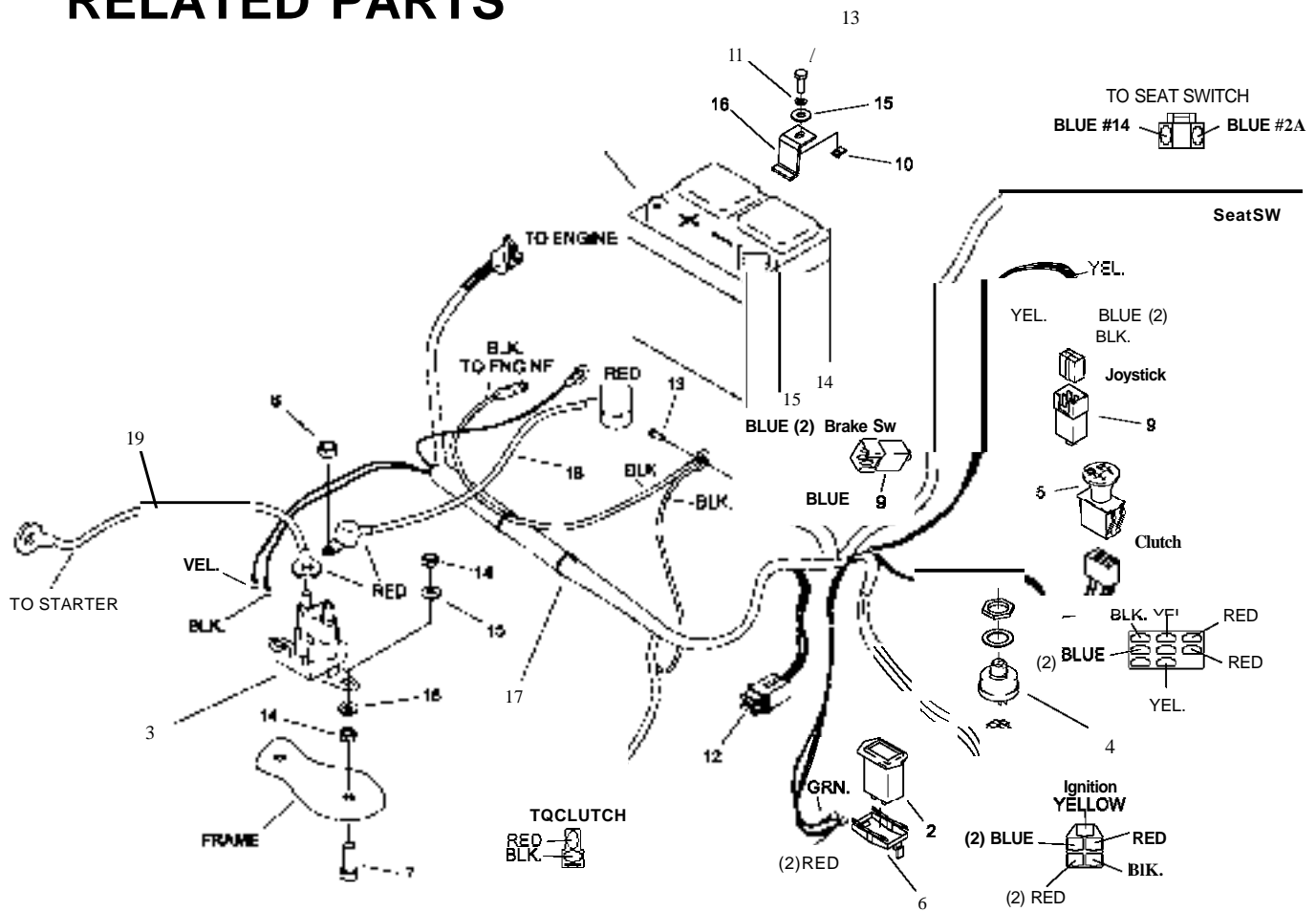
| REF NO. | PART NO. | QTY. | DESCRIPTION | REF NO. | PART NO. | QTY. | DESCRIPTION |
|---------|-----------|------|-------------------------------------|---------|----------|------|---------------------|
| 1 | 661-006P | 1 | FRONT PANEL (W/DECALS --,-071A) | 17 | H-1626 | 1 | TRIM, FUEL TANK |
| 2 | 659-166P | 1 | FENDER CAP, RH (W/DECALS659-166A) | 18 | F-1546 | 11 | 5/16-18 X 3/4' BOLT |
| 3 | 661.Q30P | 1 | FENDER CAP, LH | | | | |
| 4 | 659.Q23P | 1 | FENDER SKIRT RH (W/DECALS --1-056A) | | | | |
| 5 | 659.Q23P | 1 | FENDER SKIRT LH (W/DECALS 661-055A) | | | | |
| 6 | P-12097 | 2 | DECAL, "COUNTRY CLIPPER" | | | | |
| 7 | P-11782 | 1 | DECAL, "SAFETY STOP" | | | | |
| 8 | P-11783 | 1 | DECAL, CUT REFERENCE | | | | |
| 9 | P-11382 | 1 | DECAL, "BRAKE OFF & ON" | | | | |
| 10 | P-11626 | 1 | DECAL, "CONTROL PANEL" | | | | |
| 11 | 644.Q28P | 1 | CUP HOLDER | | | | |
| 12 | F-1015-15 | 8 | 5/16-18 X 1" BOLT | | | | |
| 13 | F-1019-02 | 8 | 5/16 LOCK WASHER | | | | |
| 14 | F-1009-02 | 19 | 5/16 FLAT WASHER | | | | |
| 15 | F-1125 | 10 | 5/16-18 LOCK NUT | | | | |
| 16 | F-1860 | 9 | U-NUT, 5/16" | | | | |

SEAT AND RELATED PARTS



| REF NO. | PART NO. | QTY. | DESCRIPTION | REF NO. | PART NO. | QTY. | DESCRIPTION |
|---------|-----------|------|----------------------------|---------|----------|------|---------------------------|
| 1 | 659-005P | 1 | SEAT MOUNTING BRACE | 17 | 659-175P | 2 | SEAT HINGE TAB |
| 2 | 659-051P | 1 | ARM REST RH. (JOYSTICK) | 18 | F-1546 | 4 | 5/16-18 x 3/4" GR. 5 BOLT |
| 3 | 659-055W | 1 | ARM REST LH. (JOYSTICK) | 19 | F-1125 | 4 | 5/16-18 LOCK NUT |
| 4 | 621-143A | 2 | ARM REST PAD | | | | |
| 5 | H-2449 | 1 | SEAT | | | | |
| 6 | F-1005-03 | 4 | 3/8-16 LOCK NUT | | | | |
| 7 | F-1009-03 | 2 | 3/8" FLAT WASHER | | | | |
| 8 | F-1011-03 | 1 | 3/8-16 PLAIN NUT | | | | |
| 9 | H-2317 | 1 | TAPERED HANDLE | | | | |
| 10 | F-1015-23 | 4 | 3/8-16 X 3/4" BOLT | | | | |
| 11 | F-1009-02 | 4 | 5/16" FLAT WASHER | | | | |
| 12 | F-1019-02 | 4 | 5/16" LOCK WASHER | | | | |
| 13 | 659-073A | 4 | T-HANDLE ASSEMBLY | | | | |
| 14 | F-1015-15 | 4 | 5/16-18 X 1" BOLT | | | | |
| 15 | F-1015-27 | 2 | 3/8-16 x 1-1/2" GR. 5 BOLT | | | | |
| 16 | 647-086P | 2 | FLIP SEAT MATING TAB | | | | |

WIRE HARNESS & RELATED PARTS



| REF NO. | PART NO. | QTY. | DESCRIPTION |
|---------|-----------|------|--------------------------------|
| 1 | E-5812 | 1 | BATIERY |
| 2 | E-5878 | 1 | HOUR METER |
| 3 | E-6054 | 1 | SOLENOID |
| 4 | E-5873 | 1 | START SWITCH |
| 5 | E-6403 | 1 | CLUTCH SWITCH |
| 6 | F-1011-01 | 2 | 1/4-20 NUT |
| 7 | F-1015-05 | 2 | 1/4-20 X1" GR. 5 |
| 8 | E-6369 | 1 | RETAINER CLIP |
| 9 | E-6297 | 2 | BRAKE SWITCH |
| 10 | F-1858 | 1 | 1/4-20 U-NUT |
| 11 | F-1019.Q1 | 1 | 1/4" LOCK WASHER |
| 12 | E-6207 | 2 | FUSE, #ATC-30 |
| 13 | F-1538 | 3 | 1/4-20 X 3/4" GR. 5 |
| 14 | F-1158 | 6 | 1/4-20 LOCK NUT |
| 15 | F-1009.Q1 | 9 | 1/4" FLAT WASHER |
| 16 | 661-092P | 1 | BATIERY HOLD DOWN |
| 17 | E-6405 | 1 | WIRE HARNESS |
| 18 | E-6418 | 1 | CABLE, BATIERY TO SOLENOID |
| 19 | E-6419 | 1 | CABLE, SOLENOID TO ENGINE |
| | E-6261 | | COVER (KEY SWITCH) -NOT SHOWN- |