

REPAIR PARTS MANUAL

**COUNTRY**  
**CLIPPER**®

**CHARGER**™

**1035**



# COUNTRY CLIPPER CHARGER

## 1035 ZERO TURN RADIUS MOWER

### TABLE OF CONTENTS

#### SECTION 1 – MOWER DECKS AND RELATED PARTS

1. 52" DECK ASSEMBLY
2. 52" TRI-PORT DECK ASSEMBLY
3. 60" DECK ASSEMBLY
4. DECK SPINDLE ASSEMBLY
5. DOUBLE IDLER & RELATED PARTS
6. DOUBLE IDLER & RELATED PARTS - TRI-PORT DECK
7. LIFT HANDLE ASSEMBLY & RELATED PARTS
8. LIFT ASSEMBLY & RELATED PARTS
9. TRANSMISSION IDLERS & RELATED PARTS

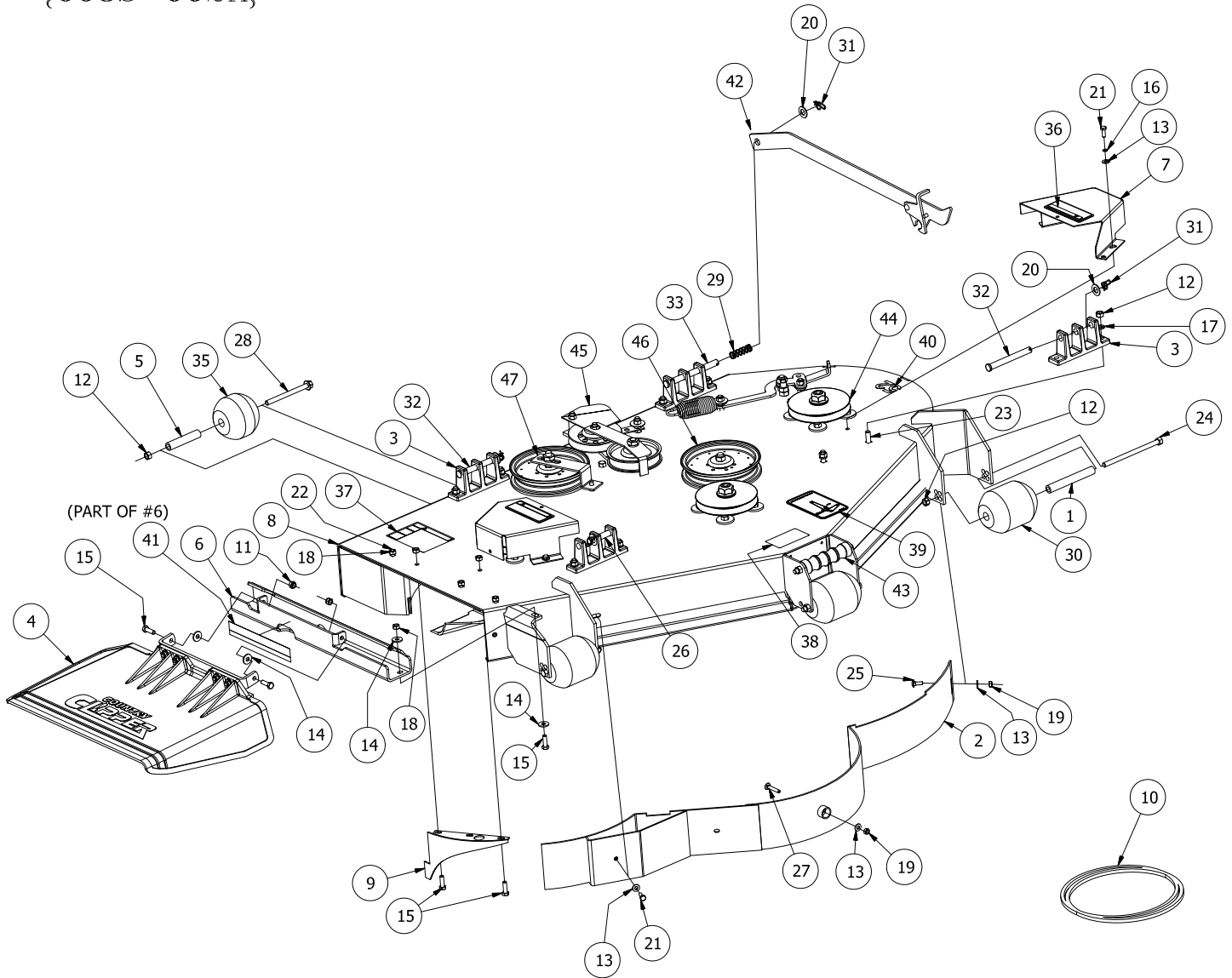
#### SECTION 2 – TRACTOR FRAME AND RELATED PARTS

10. CASTER WHEEL ASSEMBLY
11. FRAME SIDES & RELATED PARTS
12. FENDER ASSEMBLY
13. SEAT, FOOT DECK ASSEMBLY & RELATED PARTS
14. FRONT STEP ASSEMBLY
15. R.O.P.S. ASSEMBLY (ROLL OVER PROTECTION SYSTEM) & RELATED PARTS

#### SECTION 3 – TRACTOR DRIVE AND RELATED PARTS

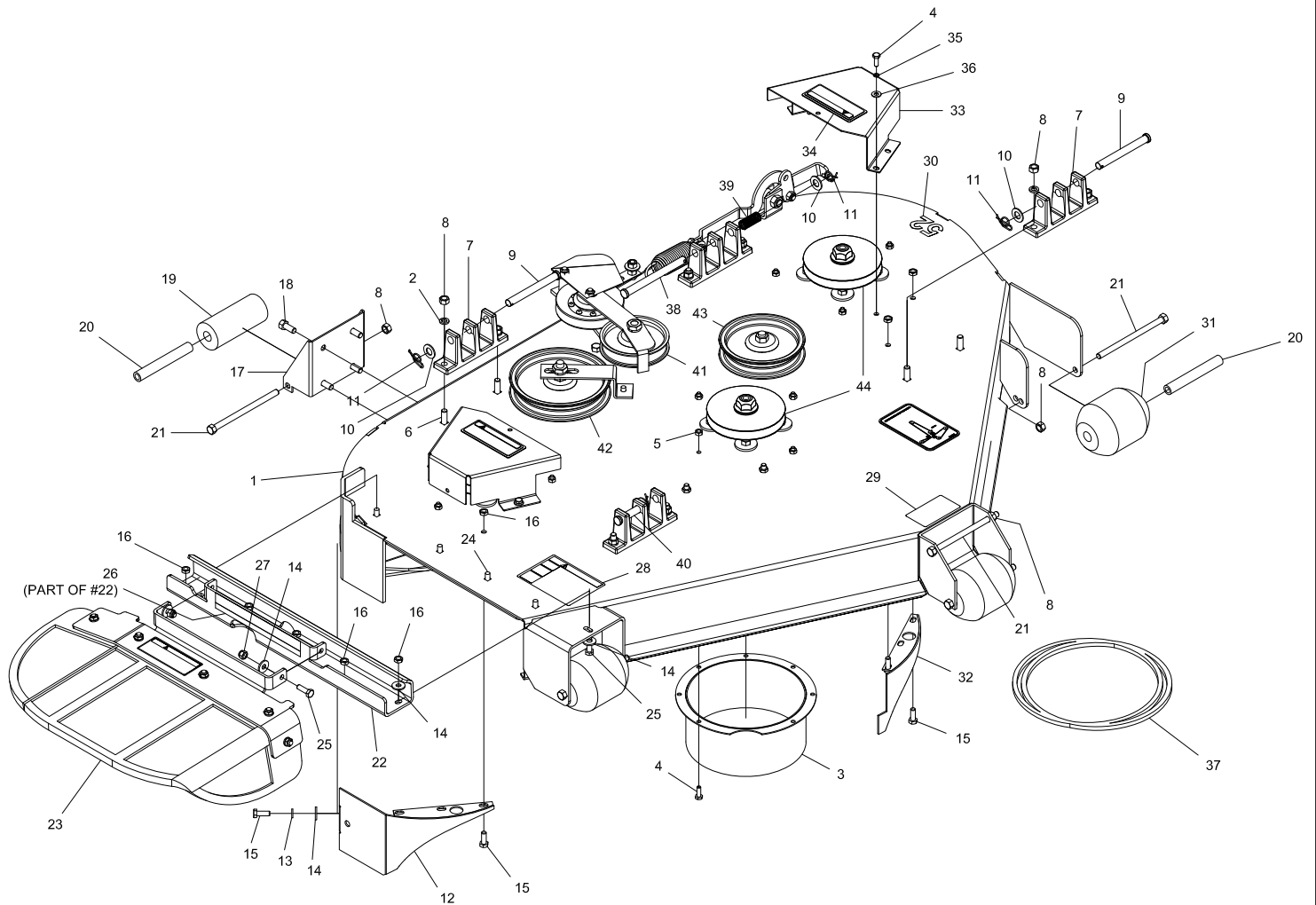
16. FUEL TANK ASSEMBLY
17. JOYSTICK STEERING CONTROL & RELATED PARTS
18. JOYSTICK STEERING CONTROL & RELATED PARTS (CON'T)
19. TWIN STICK STEERING CONTROL & RELATED PART
20. PARKING BRAKE ASSEMBLY & RELATED PARTS
21. GEAR MOTOR WHEEL ASSEMBLY
22. MOTOR ASSEMBLY & RELATED PARTS
23. HIGH PRESSURE LINES & FITTINGS
24. OIL RETURN LINES & COOLER ASSEMBLY
25. E-6415 WIRE HARNESS ASSEMBLY & RELATED PARTS
26. E-6416 WIRE HARNESS ASSEMBLY & RELATED PARTS
27. E-6417 WIRE HARNESS ASSEMBLY & RELATED PARTS

52" HEAVY  
DECK ASSEMBLY  
{668S-002A}



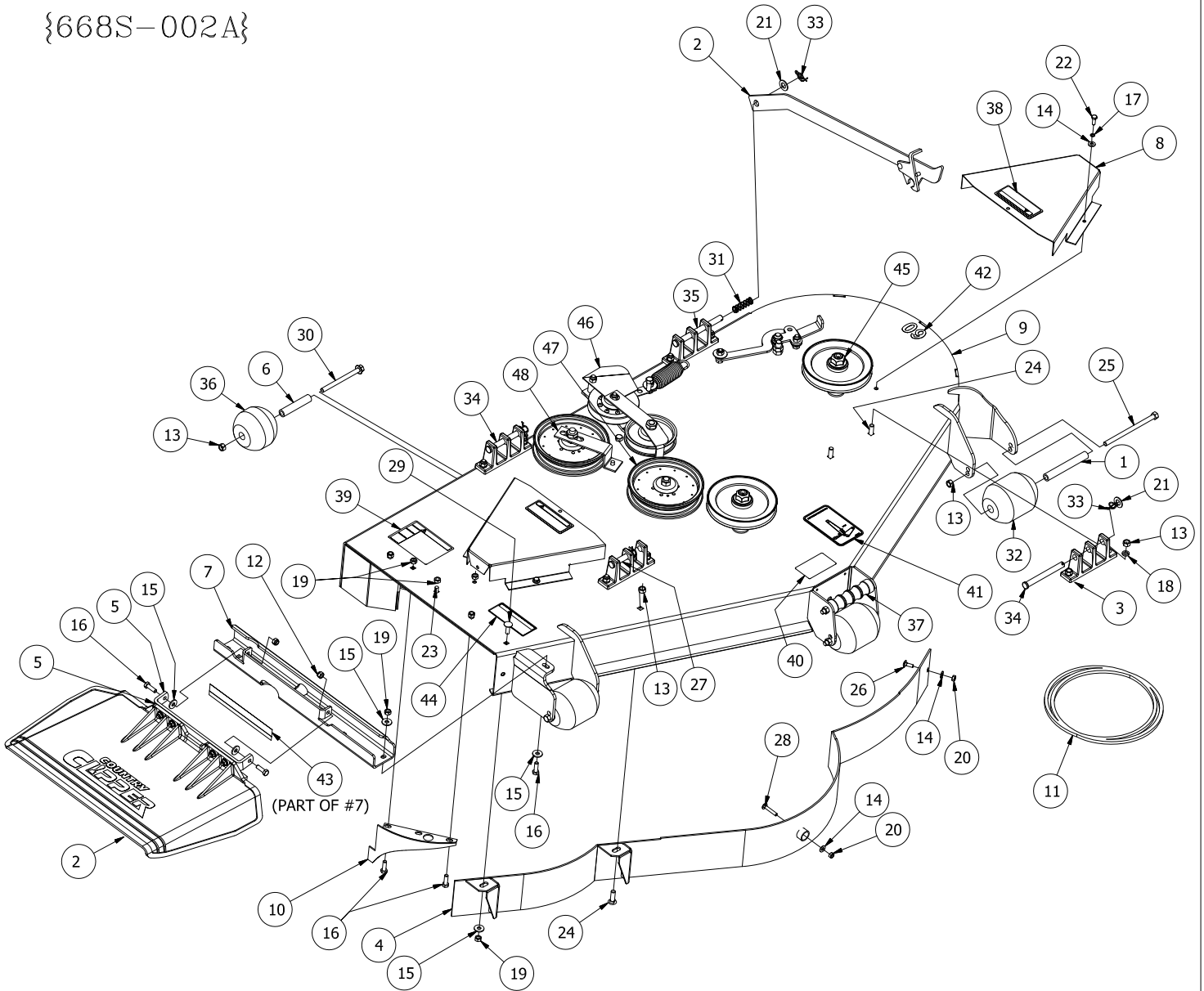
| REF NO. | PART NO.  | QTY. | DESCRIPTION                   | REF NO. | PART NO. | QTY. | DESCRIPTION                     |
|---------|-----------|------|-------------------------------|---------|----------|------|---------------------------------|
| 1       | 609-183P  | 3    | BUSHING                       | 25      | F-1823   | 1    | Carriage Bolt, 1/4 X 3/4"       |
| 2       | 629-229W  | 1    | DUST BAFFLE, 52"              | 26      | F-1889   | 1    | 1/2 x 2-5/8" Clevis Pin         |
| 3       | 643-016W  | 4    | Hanger Weldment               | 27      | F-1935   | 1    | CARRIAGE BOLT, 1/4 X 1-1/2"     |
| 4       | 643-111A  | 1    | CHUTE ASS'Y                   | 28      | F-2160   | 2    | FHCS, 3/8-16 x 4 1/2", YZ, GR5  |
| 5       | 643-126P  | 2    | BUSHING                       | 29      | F-2575   | 1    | SPRING, COMP .656 X .052 X 1.97 |
| 6       | 643-135A  | 1    | OUTLET STIFFENER w/DECAL      | 30      | H-1948   | 3    | Roller, 3-3/4 DIA. x 4-13/16L   |
| 7       | 660-139P  | 2    | COVER, PULLEY, SPLD SPIND     | 31      | H-2239   | 4    | 1/2" Rue Ring                   |
| 8       | 668-071A  | 1    | 52" HVY DECK w/DECALS         | 32      | H-2240   | 2    | 1/2" x 4-1/2" Clevis Pin        |
| 9       | 686-006W  | 1    | SPLITTER BAFFLE               | 33      | H-2718   | 1    | 1/2" x 5-1/2" Clevis Pin        |
| 10      | D-3872    | 1    | BELT, B-184                   | 34      | H-2723   | 1    | Chute, Discharge, Small         |
| 11      | F-1005-02 | 2    | 5/16-18 Nyloc Nut             | 35      | H-2772   | 2    | Roller, 3-3/4 DIA. x 3 1/4"L    |
| 12      | F-1005-03 | 24   | 3/8-16 Stover Nut             | 36      | P-10935  | 2    | Decal, WARNING                  |
| 13      | F-1009-01 | 7    | 1/4" Flat Washer              | 37      | P-10941  | 1    | DECAL "DANGER ROTATING BLADES"  |
| 14      | F-1009-02 | 4    | 5/16" Flat Washer             | 38      | P-11413  | 1    | DECAL, HOIST POINT              |
| 15      | F-1015-15 | 5    | 5/16-18 x 1" Capscrew         | 39      | P-11932  | 1    | DECAL, JAZEE DECK BELT ROUTING  |
| 16      | F-1019-01 | 4    | 1/4" LockWasher               | 40      | P-11951  | 1    | DECAL, DECK SIZE, 52            |
| 17      | F-1019-03 | 20   | 3/8" LOCKWASHER               | 41      | P-12496  | 1    | DECAL, MISSING CHUTE            |
| 18      | F-1125    | 7    | 5/16-18 Stover Nut            | 42      | 625-114A | 1    | DECK PROP ASS'Y                 |
| 19      | F-1158    | 2    | 1/4-20 Stover Nut             | 43      | H-2787   | 1    | GRIP DECK HANDLE                |
| 20      | F-1521    | 8    | 1/2" WASHER, CUSTOM           | 44      | -----    | 3    | SPINDEL ASS'Y (SEE pg.4)        |
| 21      | F-1538    | 5    | 1/4-20 x 3/4" Capscrew        | 45      | -----    | 1    | DOUBLE IDLER ASS'Y (SEE pg.5)   |
| 22      | F-1671    | 3    | 5/16-18 x 3/4" CARRIAGE BOLT  | 46      | -----    | 1    | FRONT IDLER ASS'Y (SEE pg.5)    |
| 23      | F-1672    | 8    | 3/8-16 x 1-1/4" Carraige Bolt | 47      | -----    | 1    | REAR IDLER ASS'Y (SEE pg.5)     |
| 24      | F-1741    | 4    | 3/8-16 x 6" Capscrew          |         |          |      |                                 |

# 52" TRI-PORT DECK ASSEMBLY



| REF NO. | PART NO.  | QTY. | DESCRIPTION                   | REF NO. | PART NO.  | QTY. | DESCRIPTION                         |
|---------|-----------|------|-------------------------------|---------|-----------|------|-------------------------------------|
| 1       | 686-100A  | 1    | 52" TRIPORT DECK w/DECALS     | 23      | 660-122A  | 1    | RUBBER CHUTE ASS'Y, SM.             |
| 2       | F-1019-03 | 20   | 3/8" LOCKWASHER               | 24      | F-1671    | 4    | 5/16-18 x 3/4" CARRIAGE BOLT        |
| 3       | 686-059W  | 3    | 8" TUBE WLDT.                 | 25      | F-1015-15 | 3    | 5/16-18 x 1" Capscrew               |
| 4       | F-1538    | 14   | 1/4-20 x 3/4" Capscrew        | 26      | P-12496   | 1    | DECAL, MISSING CHUTE                |
| 5       | F-1158    | 10   | 1/4-20 Stover Nut             | 27      | F-1005-02 | 2    | 5/16-18 Nyloc Nut                   |
| 6       | F-1672    | 8    | 3/8-16 x 1-1/4" Carriage Bolt | 28      | P-10941   | 1    | DECAL "DANGER ROTATING BLADES"      |
| 7       | 643-016W  | 4    | Hanger Weldment               | 29      | P-11413   | 1    | DECAL, HOIST POINT                  |
| 8       | F-1005-03 | 33   | 3/8-16 Stover Nut             | 30      | P-11951   | 1    | DECAL, DECK SIZE, 52                |
| 9       | H-2240    | 2    | 1/2" x 4-1/2" Clevis Pin      | 31      | H-1948    | 3    | Roller, 3-3/4 DIA. x 4-13/16L       |
| 10      | F-1521    | 6    | 1/2" WASHER, CUSTOM           | 32      | 686-006W  | 2    | SPLITTER BAFFLE                     |
| 11      | H-2239    | 4    | 1/2" Rue Ring                 | 33      | 660-146A  | 2    | PULLEY COVER w/DECALS               |
| 12      | 686-018W  | 1    | BAFFLE, DISCHARGE WLDT        | 34      | P-10935   | 2    | Decal, WARNING                      |
| 13      | F-1019-02 | 1    | 5/16" LockWasher              | 35      | F-1019-01 | 4    | 1/4" LockWasher                     |
| 14      | F-1009-02 | 5    | 5/16" Flat Washer             | 36      | F-1009-01 | 4    | 1/4" Flat Washer                    |
| 15      | F-1015-14 | 6    | 5/16-18 x 7/8" Capscrew       | 37      | D-3872    | 1    | BELT, B-184                         |
| 16      | F-1125    | 11   | 5/16-18 Stover Nut            | 38      | H-2718    | 1    | 1/2" x 5-1/2" Clevis Pin            |
| 17      | 659-139P  | 2    | SCALPER BRACKET               | 39      | F-2575    | 1    | SPRING, COMP .656 X .052 X 1.97     |
| 18      | F-1558    | 8    | 3/8-16 x 7/8" Capscrew        | 40      | F-1889    | 1    | 1/2 x 2-5/8" Clevis Pin             |
| 19      | 660-076P  | 2    | ROLLER                        | 41      | -----     | 1    | DOUBLE IDLER ASS'Y - SEE PAGE 6     |
| 20      | 609-183P  | 5    | BUSHING                       | 42      | -----     | 1    | RIGHT REAR IDLER ASS'Y - SEE PAGE 6 |
| 21      | F-1741    | 6    | 3/8-16 x 6" Capscrew          | 43      | -----     | 1    | FRONT IDLER ASS'Y - SEE PAGE 6      |
| 22      | 643-135A  | 1    | OUTLET STIFFENER w/DECAL      | 44      | -----     | 3    | SPINDEL ASS'Y - SEE PAGE 4          |

60" HEAVY  
DECK ASSEMBLY  
{668S-002A}

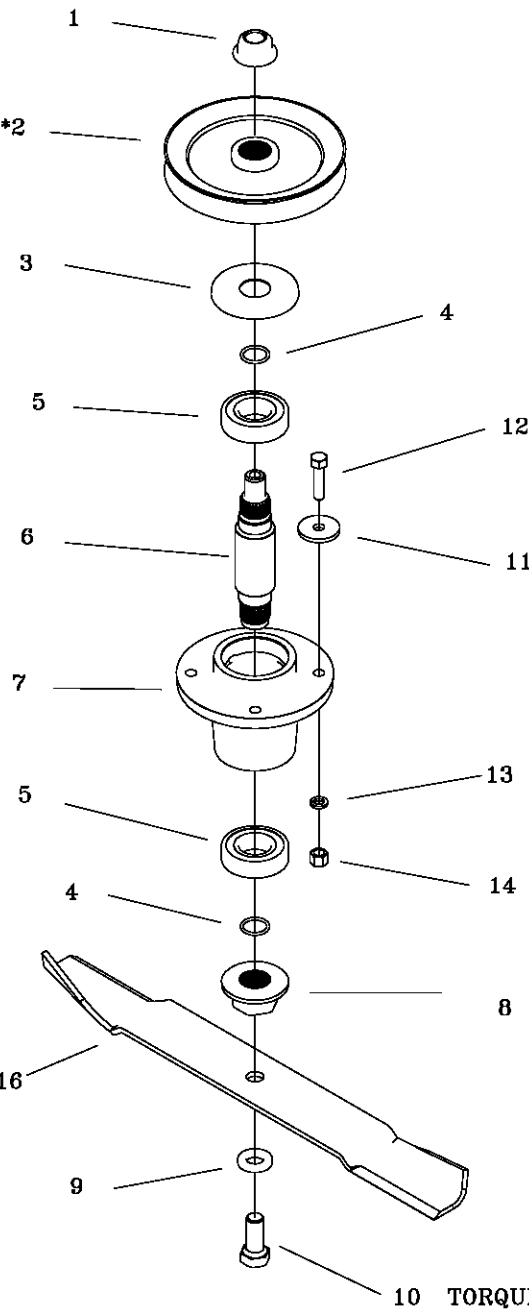


| REF NO. | PART NO.  | QTY. | DESCRIPTION                   | REF NO. | PART NO. | QTY. | DESCRIPTION                     |
|---------|-----------|------|-------------------------------|---------|----------|------|---------------------------------|
| 1       | 609-183P  | 3    | BUSHING                       | 25      | F-1741   | 4    | 3/8-16 x 6" Capscrew            |
| 2       | 643-111A  | 1    | CHUTE ASS'Y                   | 26      | F-1823   | 1    | Carriage Bolt, 1/4 X 3/4"       |
| 3       | 643-016W  | 4    | Hanger Weldment               | 27      | F-1889   | 1    | 1/2 x 2-5/8" Clevis Pin         |
| 4       | 643-104W  | 1    | 60" DUST BAFFLE WELDMENT      | 28      | F-1935   | 1    | CARRIAGE BOLT, 1/4 X 1-1/2"     |
| 5       | 643-110P  | 1    | CHUTE HINGE                   | 29      | F-2066   | 6    | 5/16-18 x 1" CARRIAGE BOLT,     |
| 6       | 643-126P  | 2    | BUSHING                       | 30      | F-2160   | 2    | FHCS, 3/8-16 x 4 1/2", YZ, GR5  |
| 7       | 643-135A  | 1    | OUTLET STIFFENER w/DECAL      | 31      | F-2575   | 1    | SPRING, COMP .656 X .052 X 1.97 |
| 8       | 668-055P  | 2    | COVER,PULLEY 60"              | 32      | H-1948   | 3    | Roller, 3-3/4 DIA. x 4-13/16L   |
| 9       | 668-072A  | 1    | 60" HVY DECK w/DECALS         | 33      | H-2239   | 4    | 1/2" Rue Ring                   |
| 10      | 686-006W  | 1    | SPLITTER BAFFLE               | 34      | H-2240   | 2    | 1/2" x 4-1/2" Clevis Pin        |
| 11      | D-3872    | 1    | BELT, B-184                   | 35      | H-2718   | 1    | 1/2" x 5-1/2" Clevis Pin        |
| 12      | F-1005-02 | 2    | 5/16-18 Nyloc Nut             | 36      | H-2772   | 2    | Roller, 3-3/4 DIA. x 3 1/4"L    |
| 13      | F-1005-03 | 24   | 3/8-16 Stover Nut             | 37      | H-2787   | 1    | GRIP, DECK HANDLE               |
| 14      | F-1009-01 | 6    | 1/4" Flat Washer              | 38      | P-10935  | 2    | Decal, WARNING                  |
| 15      | F-1009-02 | 5    | 5/16" Flat Washer             | 39      | P-10941  | 1    | DECAL "DANGER ROTATING BLADES"  |
| 16      | F-1015-15 | 5    | 5/16-18 x 1" Capscrew         | 40      | P-11413  | 1    | DECAL, HOIST POINT              |
| 17      | F-1019-01 | 4    | 1/4" LockWasher               | 41      | P-11932  | 1    | DECAL, JAZEE DECK BELT ROUTING  |
| 18      | F-1019-03 | 20   | 3/8" LOCKWASHER               | 42      | P-11952  | 1    | DECAL, DECK SIZE, 60            |
| 19      | F-1125    | 9    | 5/16-18 Stover Nut            | 43      | P-12496  | 1    | DECAL, MISSING CHUTE            |
| 20      | F-1158    | 2    | 1/4-20 Stover Nut             | 44      | P-12706  | 1    | WARNING DECAL, DISCHARGE CHUTE  |
| 21      | F-1521    | 9    | 1/2" WASHER, CUSTOM           | 45      | -----    | 3    | SPINDLE ASS'Y (SEE pg4.)        |
| 22      | F-1538    | 4    | 1/4-20 x 3/4" Capscrew        | 46      | -----    | 1    | DOUBLE IDLER ASS'Y (SEE pg.5)   |
| 23      | F-1671    | 3    | 5/16-18 x 3/4" CARRIAGE BOLT  | 47      | -----    | 1    | FRONT IDLER ASS'Y (SEE pg.5)    |
| 24      | F-1672    | 9    | 3/8-16 x 1-1/4" Carriage Bolt | 48      | -----    | 1    | REAR IDLER ASS'Y (SEE pg.5)     |

TORQUE TO 140 ft-lb

# DECK SPINDLE ASSEMBLY 629FN-001A

PULLEY NOT INCLUDED \*2  
IN ASSEMBLY



15 (APPLY THIN LAYER OF CHEVRON RYKOTAC GREASE TO THE TOP SURFACES OF THE BEARING AND HOUSING PRIOR TO INSTALLING ITEM #3 (BEARING CAP).

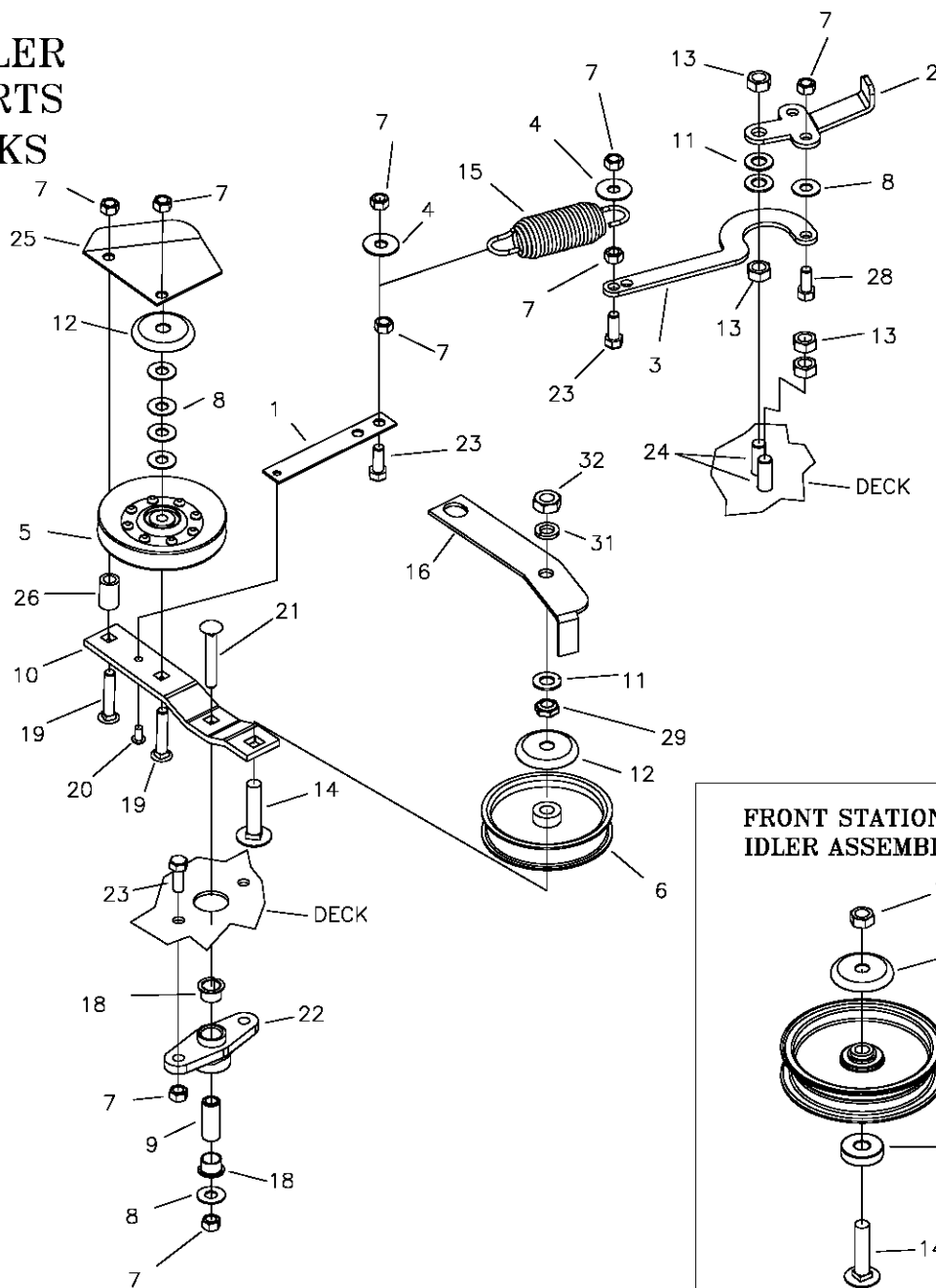
NEW MOWERS ARE SHIPPED WITH 3 to 4 oz OF CHEVRON SRI NLGI 2 GREASE INSIDE EACH SPINDLE HOUSING.

BLADE NOT INCLUDED \*16  
IN ASSEMBLY

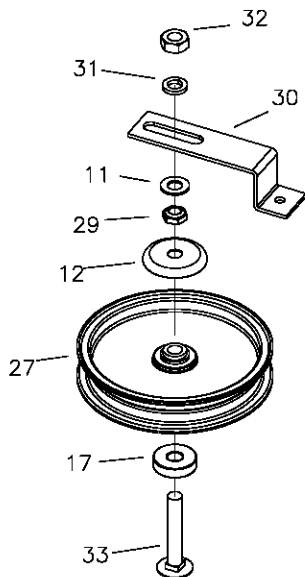
10 TORQUE TO 100 ft-lb

| REF NO. | PART NO.  | QTY. | DESCRIPTION             | REF NO.         | PART NO. | QTY. | DESCRIPTION                    |
|---------|-----------|------|-------------------------|-----------------|----------|------|--------------------------------|
| 1       | F-2078    | 1    | 3/4-6 TOP LOCK NUT      | 15              | H-2707   | 1    | GREASE PACKET                  |
|         | 668-050P  | *    | 52" DECK CENTER PULLEY  | 16              | H-2648   | -    | BLADE, HIGH L, 18 3/8" CUT 52" |
| *       | 668-042P  | *    | 60" DECK CENTER PULLEY  |                 | H-2649   | -    | BLADE, HIGH L, 21" CUT 60"     |
| 3       | 609-292P  | 1    | CAP, BEARING            | OPTIONAL BLADES |          |      |                                |
| 4       | H-2639    | 2    | O'RING, RUBBER          |                 |          |      |                                |
| 5       | D-3867    | 2    | BEARING, #6206          |                 |          |      |                                |
| 6       | 609-289P  | 1    | SHAFT, SPINDLE          |                 |          |      |                                |
| 7       | 609-285P  | 1    | HOUSING, SPINDLE        |                 |          |      |                                |
| 8       | 609-288P  | 1    | BLADE DRIVER            |                 |          |      |                                |
| 9       | 660-099P  | 1    | BLADE WASHER            |                 |          |      |                                |
| 10      | F-2073    | 1    | 5/8-11 X 1.5 HHCS GR. 8 |                 |          |      |                                |
| 11      | 609-034P  | 4    | SPINDLE SPACER, WASHER  |                 | H-2660   | -    | BLADE, LOW L, 18 3/8" CUT, 52" |
| 12      | F-1572    | 4    | 3/8-24 X 1.5 CAP SCREW  |                 | H-2661   | -    | BLADE, LOW L, 21" CUT, 60"     |
| 13      | F-1019-03 | 4    | 3/8 LOCK WASHER         |                 | H-2666   | -    | BLADE, GATOR, 18 3/8" CUT 52"  |
| 14      | F-1573    | 4    | 3/8-24 LOCK NUT         |                 | H-2667   | -    | BLADE, GATOR, 21" CUT 60"      |

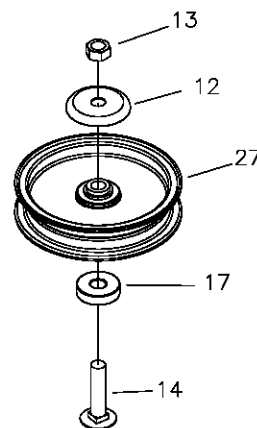
# DOUBLE IDLER DRIVE BELT IDLER & RELATED PARTS 52" & 60" DECKS



## RIGHT REAR STATIONARY IDLER ASSEMBLY



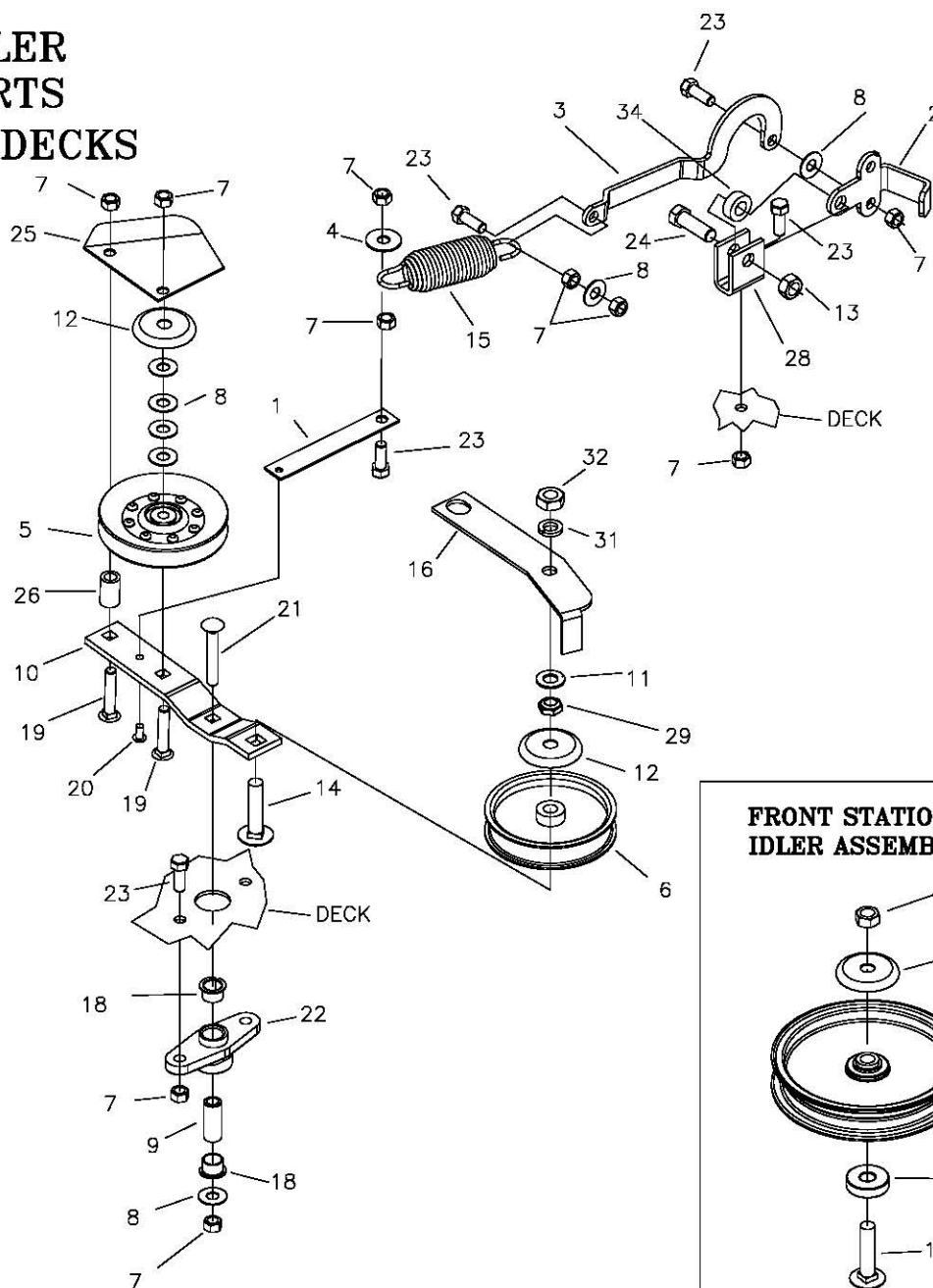
## FRONT STATIONARY IDLER ASSEMBLY



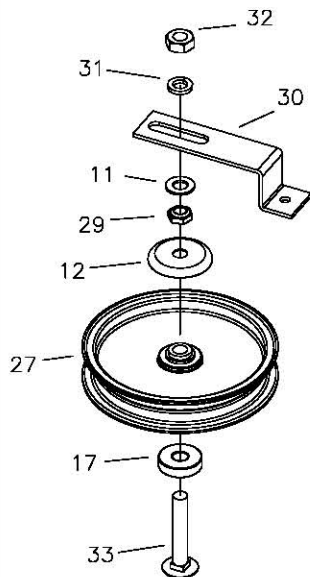
| REF NO. | PART NO.  | QTY. | DESCRIPTION                   | REF NO. | PART NO. | QTY. | DESCRIPTION                |
|---------|-----------|------|-------------------------------|---------|----------|------|----------------------------|
| 1       | 660-081P  | 1    | EXTENSION FOR SPRING          | 22      | 660-039P | 1    | MOUNT, DOUBLE IDLER        |
| 2       | 660-030P  | 1    | HANDLE, BELT TIGHTENER        | 23      | F-1394   | 4    | 3/8-16 X 1" GR. 5          |
| 3       | 660-031P  | 1    | ARM, BELT TIGHTENER           | 24      | F-1526   | 2    | 1/2-13 X 1-1/2" GR. 5      |
| 4       | F-2083    | 2    | WASHER, 3/8 FENDER            | 25      | 668-029P | 1    | BELT GUARD                 |
| 5       | D-3758    | 1    | "V" IDLER PULLEY              | 26      | 668-021P | 1    | SPACER, BELT GUARD         |
| 6       | D-3338    | 1    | IDLER PULLEY                  | 27      | D-3903   | 2    | 6" IDLER PULLEY            |
| 7       | F-1005-03 | 10   | 3/8 LOCK NUT                  | 28      | F-1558   | 1    | 3/8-16 X 7/8 GR. 5         |
| 8       | F-1009-03 | 6    | 3/8 FLAT WASHER               | 29      | F-1966   | 2    | 1/2" THIN NYLOC NUT        |
| 9       | 659-085P  | 1    | MOUNTING PIN                  | 30      | 660-114P | 1    | BELT KEEPER, SINGLE END    |
| 10      | 660-036P  | 1    | IDLER ARM                     | 31      | F-1464   | 2    | 1/2" LOCK WASHER           |
| 11      | F-1521    | 4    | 1/2" FLAT WASHER              | 32      | F-1489   | 2    | 1/2" THIN NUT              |
| 12      | 620-201P  | 4    | BEARING CAP                   | 33      | F-2047   | 1    | 1/2"-13 X 3" CARRIAGE BOLT |
| 13      | F-1005-05 | 5    | 1/2" LOCK NUT                 |         |          |      |                            |
| 14      | F-1822    | 2    | 1/2-13 X 2-1/4" GR. 5         |         |          |      |                            |
| 15      | H-2619    | 1    | SPRING, 5x1-1/2, TAPERED ENDS |         |          |      |                            |
| 16      | 660-107P  | 1    | BELT KEEPER                   |         |          |      |                            |
| 17      | 660-082P  | 2    | SPACER                        |         |          |      |                            |
| 18      | D-3730    | 2    | BUSHING, TEFLON COATED        |         |          |      |                            |
| 19      | F-1976    | 2    | 3/8-16 X 1-3/4" CARRIAGE BOLT |         |          |      |                            |
| 20      | F-1733    | 1    | 1/4" DRIVE STUD               |         |          |      |                            |
| 21      | F-1865    | 1    | 3/8-16 X 2-1/2" CARRIAGE BOLT |         |          |      |                            |



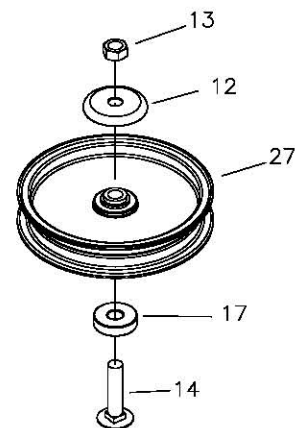
# DOUBLE IDLER DRIVE BELT IDLER & RELATED PARTS 52" TRI-PORT DECKS



## RIGHT REAR STATIONARY IDLER ASSEMBLY

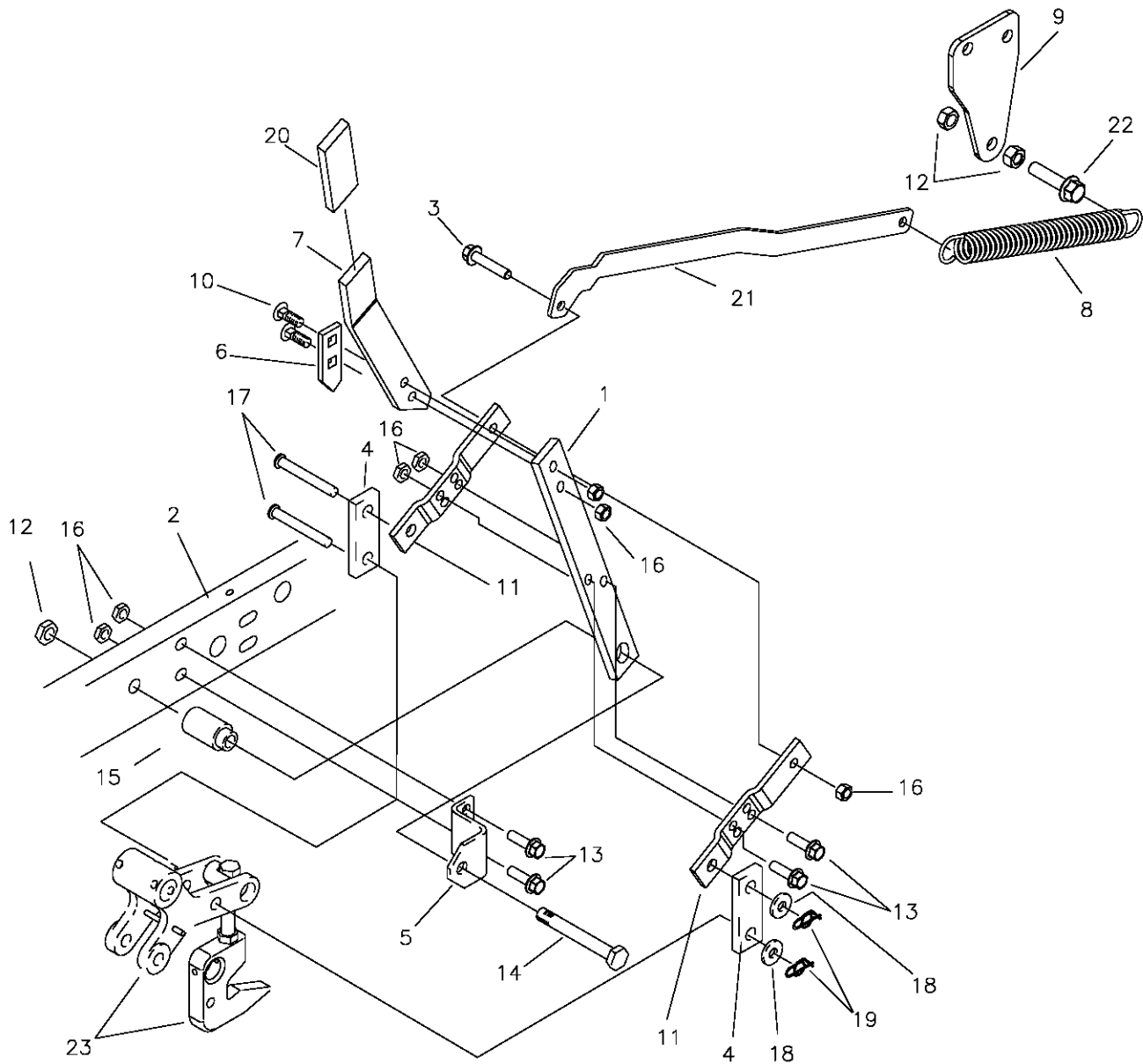


## FRONT STATIONARY IDLER ASSEMBLY



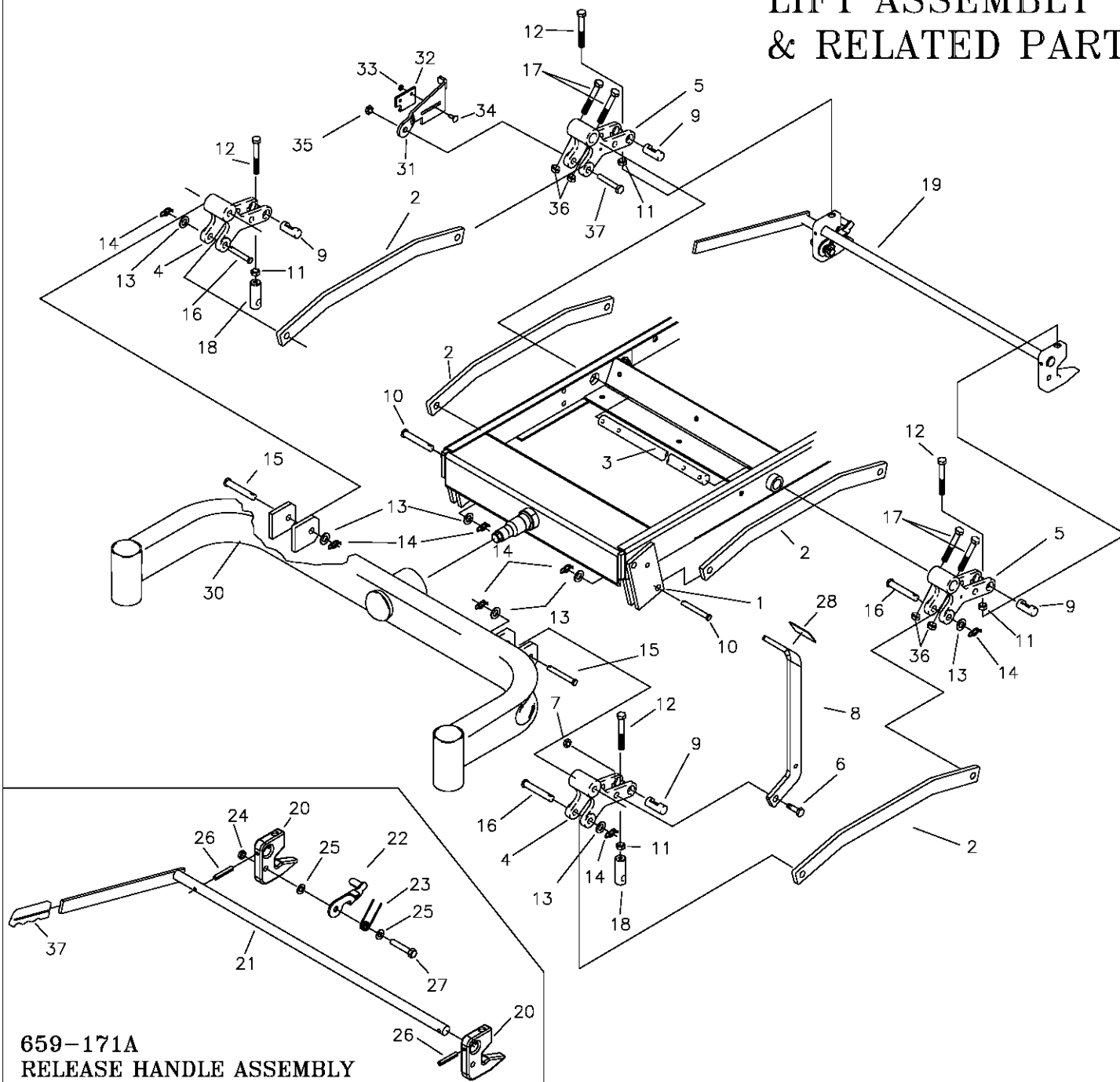
| REF NO. | PART NO.  | QTY. | DESCRIPTION                   | REF NO. | PART NO. | QTY. | DESCRIPTION                |
|---------|-----------|------|-------------------------------|---------|----------|------|----------------------------|
| 1       | 660-035P  | 1    | EXTENSION FOR SPRING          | 22      | 660-039P | 1    | MOUNT, DOUBLE IDLER        |
| 2       | 686-101P  | 1    | HANDLE, BELT TIGHTENER        | 23      | F-1394   | 6    | 3/8-16 X 1" GR. 5          |
| 3       | 686-081P  | 1    | BELT TENSIONER                | 24      | F-1526   | 1    | 1/2-13 X 1-1/2" GR. 5      |
| 4       | F-2083    | 1    | WASHER, 3/8 FENDER            | 25      | 668-029P | 1    | BELT GUARD                 |
| 5       | D-3758    | 1    | "V" IDLER PULLEY              | 26      | 668-021P | 1    | SPACER, BELT GUARD         |
| 6       | D-3338    | 1    | IDLER PULLEY                  | 27      | D-3903   | 2    | 6" IDLER PULLEY            |
| 7       | F-1005-03 | 10   | 3/8 LOCK NUT                  | 28      | 661-015P | 1    | SHACKLE                    |
| 8       | F-1009-03 | 7    | 3/8 FLAT WASHER               | 29      | F-1966   | 4    | 1/2" THIN NYLOC NUT        |
| 9       | 659-085P  | 1    | MOUNTING PIN                  | 30      | 660-114P | 1    | BELT KEEPER, SINGLE END    |
| 10      | 660-036P  | 1    | IDLER ARM                     | 31      | F-1464   | 2    | 1/2" LOCK WASHER           |
| 11      | F-1521    | 4    | 1/2" FLAT WASHER              | 32      | F-1489   | 2    | 1/2" THIN NUT              |
| 12      | 620-201P  | 4    | BEARING CAP                   | 33      | F-2047   | 1    | 1/2"-13 X 3" CARRIAGE BOLT |
| 13      | F-1005-05 | 2    | 1/2" LOCK NUT                 | 34      | 660-038P | 1    | 3/8" SPACER                |
| 14      | F-1822    | 2    | 1/2-13 X 2-1/4" GR. 5         |         |          |      |                            |
| 15      | H-2619    | 1    | SPRING, 5x1-1/2, TAPERED ENDS |         |          |      |                            |
| 16      | 660-107P  | 1    | BELT KEEPER                   |         |          |      |                            |
| 17      | 660-082P  | 2    | SPACER                        |         |          |      |                            |
| 18      | D-3730    | 2    | BUSHING, TEFLON COATED        |         |          |      |                            |
| 19      | F-1976    | 2    | 3/8-16 X 1-3/4" CARRIAGE BOLT |         |          |      |                            |
| 20      | F-1733    | 1    | 1/4" DRIVE STUD               |         |          |      |                            |
| 21      | F-1865    | 1    | 3/8-16 X 2-1/2" CARRIAGE BOLT |         |          |      |                            |

# LIFT HANDLE ASSEMBLY & RELATED PARTS



| REF NO. | PART NO.  | QTY. | DESCRIPTION                    | REF NO. | PART NO.  | QTY. | DESCRIPTION                  |
|---------|-----------|------|--------------------------------|---------|-----------|------|------------------------------|
| 1       | 709-102P  | 1    | LIFT HANDLE, LOWER             | 15      | 642-095P  | 1    | HANDLE PIVOT PIN             |
| 2       | 659-022W  | 1    | FRAME WELDMENT, LH.            | 16      | F-1005-03 | 7    | NUT, 3/8-16 LOCKNUT (STOVER) |
| 3       | F-2126    | 1    | 3/8-16 X 2" CAPSCREW           | 17      | F-1889    | 2    | CLEVIS PIN, 1/2 X 2 5/8"     |
| 4       | 642-061P  | 2    | HANDLE LINK                    | 18      | F-1521    | 2    | 1/2" FLAT WASHER             |
| 5       | 642-041P  | 1    | HANDLE PIVOT BRACKET           | 19      | H-2239    | 2    | RUE RING, 1/2"               |
| 6       | 642-127P  | 1    | TOP PEG LATCH PLATE            | 20      | H-2324    | 1    | VINYL GRIP, 3/8 X 1 1/2"     |
| 7       | 659-355P  | 1    | LIFY HANDLE, UPPER             | 21      | 663-080P  | 1    | BAR, SPRING EXT.             |
| 8       | H-1610    | 1    | SPRING, 1 1/2" OD. X 8"        | 22      | F-1293    | 1    | 1/2-13 X 2" GR. 5            |
| 9       | 663-120P  | 1    | PLT, SPRING MOUNT              | 23      | -----     | -    | SEE PAGE 8                   |
| 10      | F-1672    | 2    | CARRIAGE BOLT, 3/8-16 X 1 1/4" |         |           |      |                              |
| 11      | 642-060P  | 2    | SPRING ANCHOR PLATE            |         |           |      |                              |
| 12      | F-1005-05 | 3    | NUT, 1/2-13 LOCKNUT            |         |           |      |                              |
| 13      | F-2125    | 4    | 1/2-13 X 1 1/4" GR. 5          |         |           |      |                              |
| 14      | F-1439    | 1    | 1/2-13 X 3" GR. 5              |         |           |      |                              |

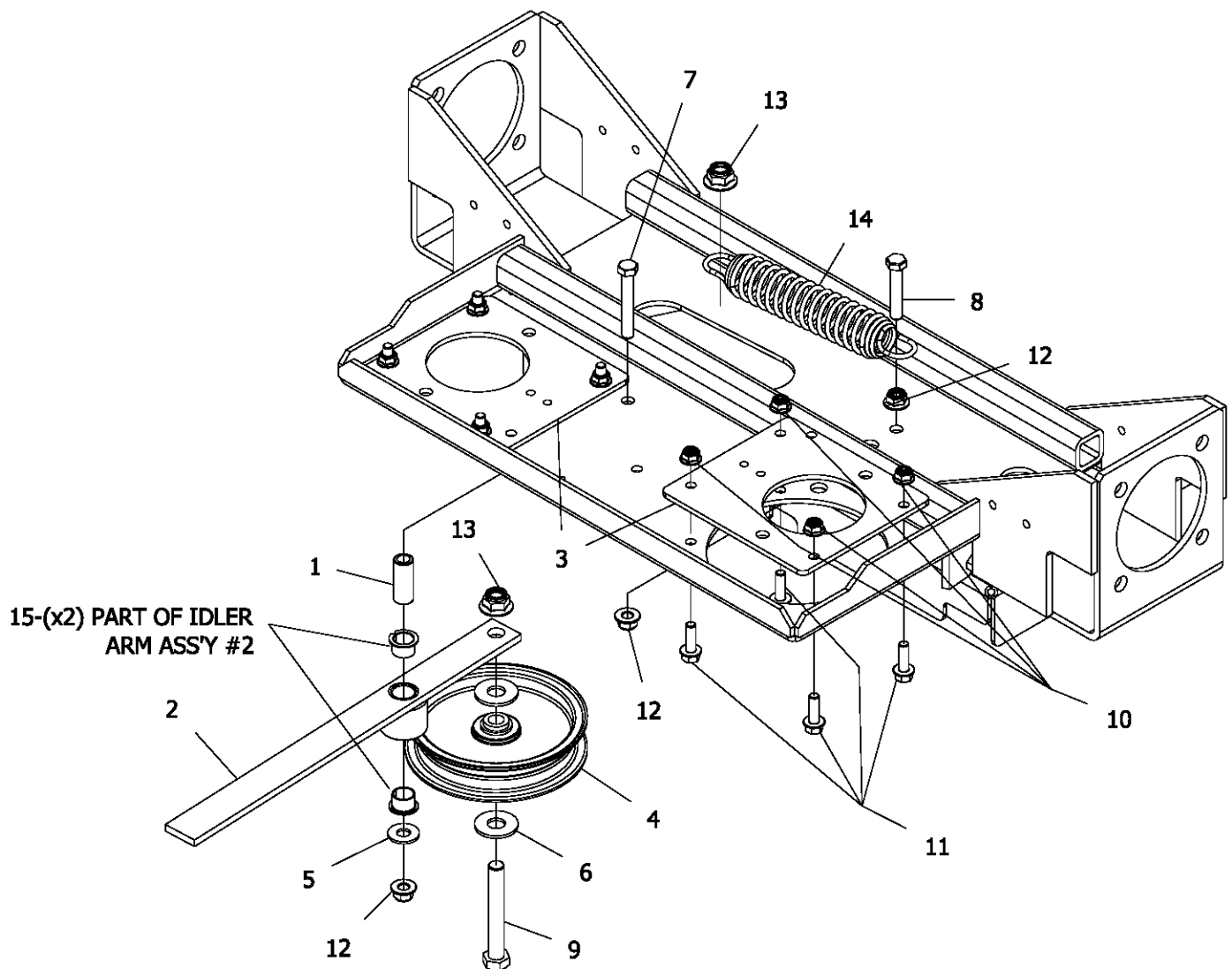
# LIFT ASSEMBLY & RELATED PARTS



**659-171A  
RELEASE HANDLE ASSEMBLY**

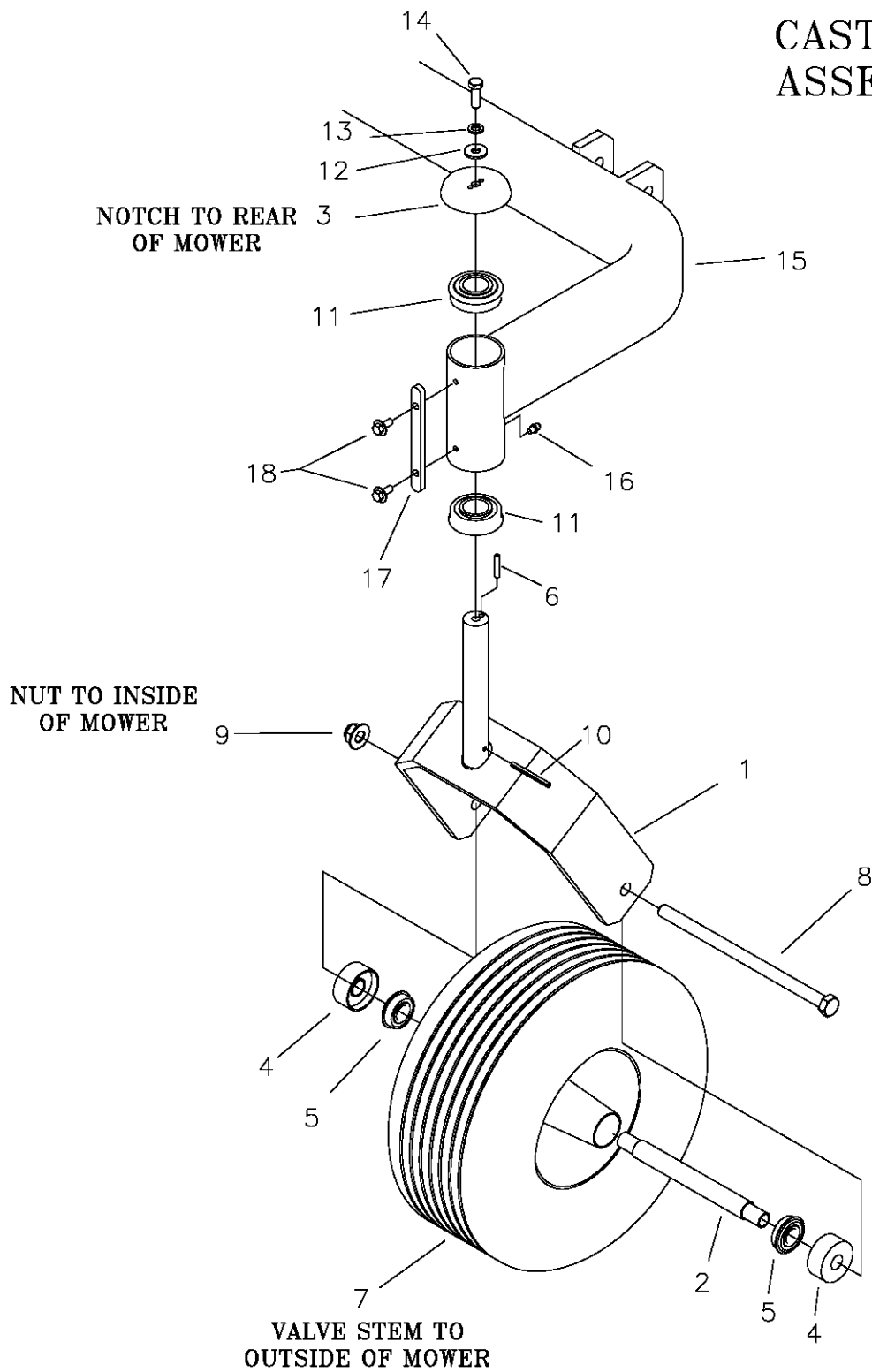
| REF NO. | PART NO. | QTY. | DESCRIPTION               | REF NO. | PART NO.     | QTY. | DESCRIPTION                  |
|---------|----------|------|---------------------------|---------|--------------|------|------------------------------|
| 1       | 642-063P | 2    | DRAG BAR TAB              | 20      | 659-140P     | 2    | DECK HOOK                    |
| 2       | 659-299P | 4    | DRAG LINK BAR             | 21      | 659-148W     | 1    | RELEASE HANDLE WELDMENT      |
| 3       | 620-051P | 1    | LIFT BAR                  | 22      | 659-145P     | 1    | HOOK KEEPER                  |
| 4       | 642-081P | 2    | LIFT SLEEVE, FRONT        | 23      | H-2547       | 1    | SPRING, TORSION              |
| 5       | 642-193P | 2    | LIFT SLEEVE, REAR         | 24      | F-1005-03    | 1    | NUT, 3/8-16, STOVER          |
| 6       | F-1879   | 1    | 5/16-18 X 1 1/4" GR.5     | 25      | F-1009-03    | 2    | WASHER, FLAT, 3/8"           |
| 7       | F-1125   | 1    | 5/16-18 STOVER NUT        | 26      | F-2009       | 2    | SPIROL ROLL PIN 1/4 X 1-1/2  |
| 8       | 659-056P | 1    | DECK LIFT PEDAL           | 27      | F-1073       | 1    | CAPSCREW, 3/8-16 X 2, GR. 5  |
| 9       | 642-177P | 4    | HANGER PIN                | 28      | H-2401       | 1    | TREAD PAD                    |
| 10      | F-1815   | 2    | CLEVIS PIN, 1/2 X 1 1/2"  | 29      | H-1926       | 1    | 1/4"x1" HANDLE GRIP          |
| 11      | F-1489   | 4    | NUT, 1/2" JAM             | 30      | SEE PAGE 2-7 | 1    | FRONT AXLE WELDMENT          |
| 12      | F-1936   | 4    | 1/2-13 X 3 1/2, 2" THREAD | 31      | 663-089P     | 1    | LATCH PLATE                  |
| 13      | F-1521   | 7    | WASHER, 1/2 NARROW        | 32      | 659-170P     | 1    | PLATE, CATCH                 |
| 14      | H-2239   | 7    | RUE RING, 1/2"            | 33      | F-1158       | 2    | NUT, 1/4" STOVER             |
| 15      | F-1890   | 2    | CLEVIS PIN, 1/2 X 3 1/2"  | 34      | F-1823       | 2    | CARRIAGE BOLT, 1/4-20 X 3/4" |
| 16      | F-1898   | 3    | CLEVIS PIN, 1/2 X 2 3/4"  | 35      | F-1005-05    | 1    | 1/2" STOVER NUT              |
| 17      | F-2039   | 4    | 5/16-24 x 2" HHCS         | 36      | F-2041       | 4    | 5/16-24 JAM NUT              |
| 18      | 642-175P | 2    | ADJUSTABLE HANGER END     | 37      | F-1828       | 1    | 1/2-13 x 3-1/2" CAPSCREW     |
| 19      | 659-171A | 1    | RELEASE HANDLE ASSEMBLY   |         |              |      |                              |

# TRANSMISSION IDLERS & RELATED PARTS



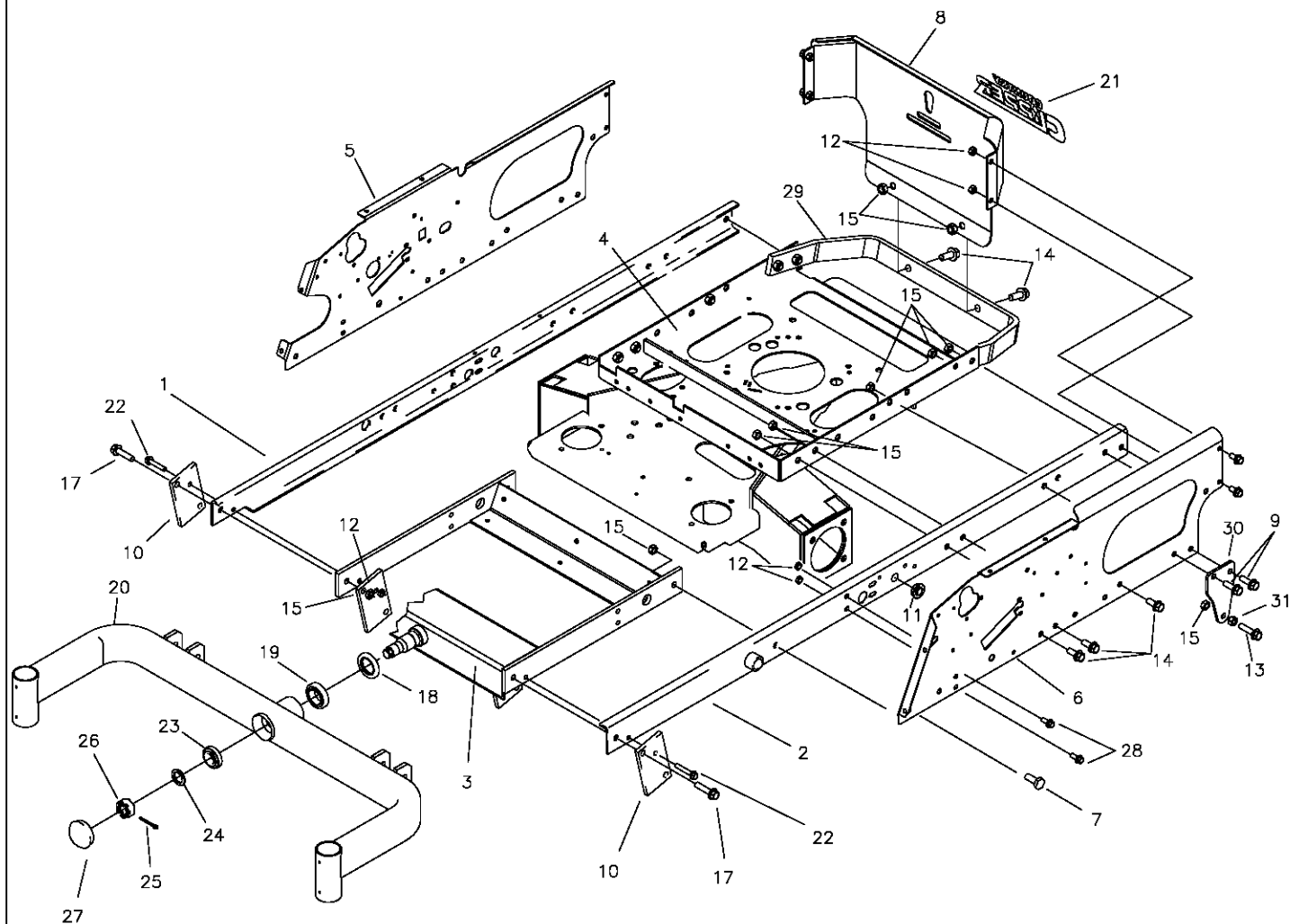
| REF NO. | PART NO.  | QTY. | DESCRIPTION              | REF NO. | PART NO. | QTY. | DESCRIPTION                     |
|---------|-----------|------|--------------------------|---------|----------|------|---------------------------------|
| 1       | 659-085P  | 1    | Mounting Pin             | 9       | F-1936   | 5    | 1/2-13 x 3-1/2" Capscrew        |
| 2       | 663-057A  | 1    | Hydro Idler Arm Assembly | 10      | F-2063   | 66   | Nut, 5/16-18 Nyloc, Flanged     |
| 3       | 663-146P  | 2    | PLATE, PUMP ADAPTER      | 11      | F-2148   | 10   | FHCS, 5/16-18 x 1.00, YZ, GR5   |
| 4       | D-3904    | 1    | PULLEY, FLAT IDLER, 5"   | 12      | F-2151   | 25   | Nut, 3/8-16 Nyloc, Flanged      |
| 5       | F-1009-03 | 2    | 3/8" Flat Washer         | 13      | F-2152   | 31   | Nut, 1/2-13 Nyloc, Flanged      |
| 6       | F-1009-05 | 2    | 1/2" FLAT WASHER         | 14      | H-2619   | 1    | SPRING, 5 X 1-1/2, TAPERED ENDS |
| 7       | F-1015-30 | 1    | 3/8-16 x 2-1/2" Capscrew | 15      | D-3730   | 2    | FLANGED BUSHING                 |
| 8       | F-1073    | 1    | 3/8-16 x 2" Capscrew     |         |          |      |                                 |

# CASTER WHEEL ASSEMBLY



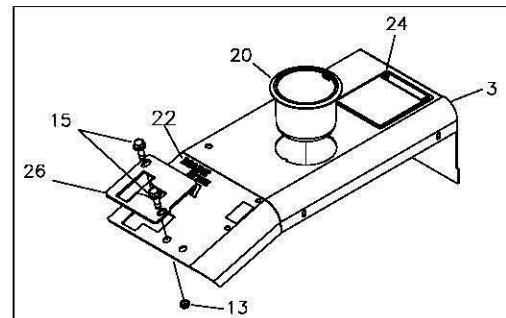
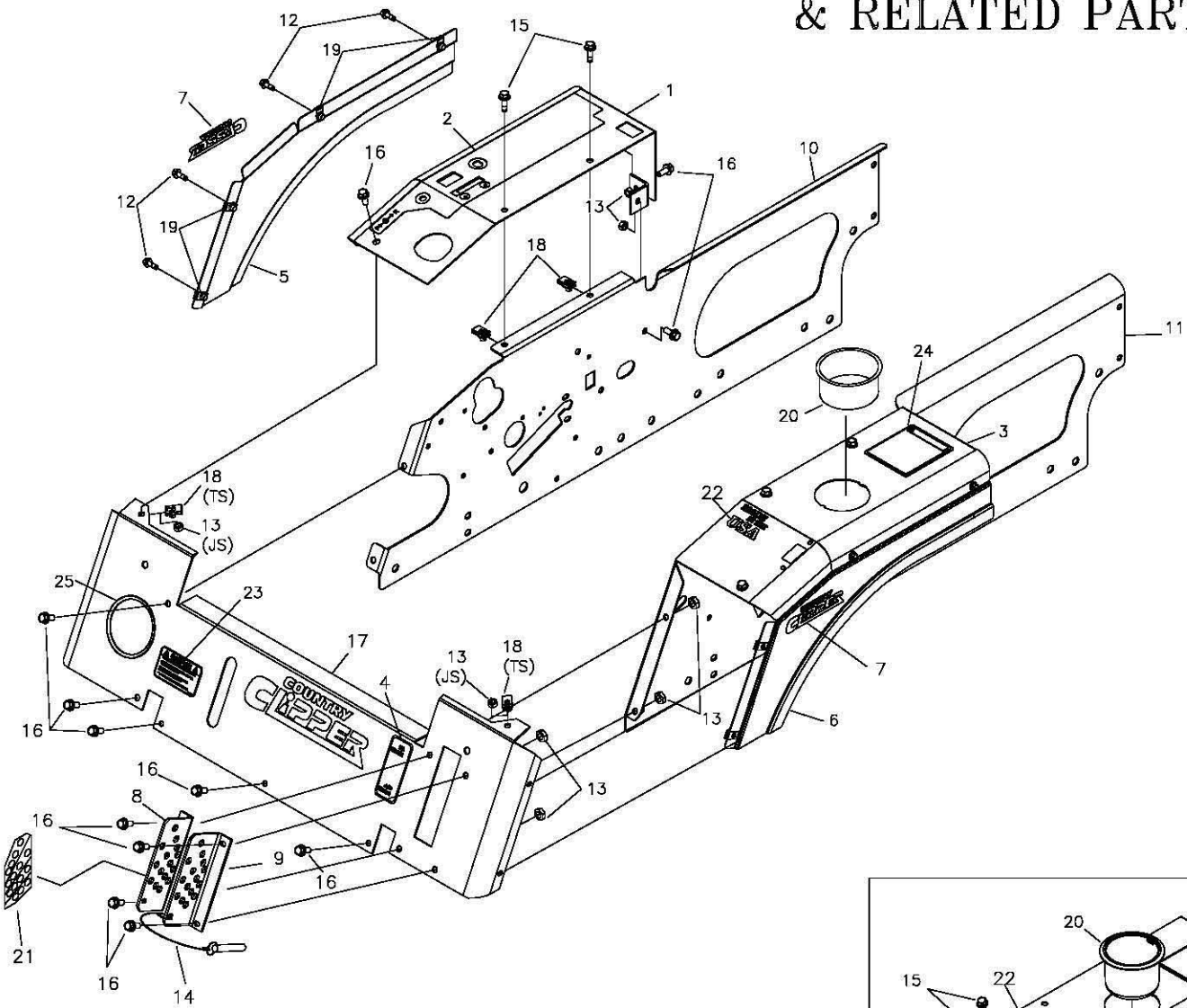
| REF NO. | PART NO. | QTY. | DESCRIPTION                   | REF NO. | PART NO.  | QTY. | DESCRIPTION                    |
|---------|----------|------|-------------------------------|---------|-----------|------|--------------------------------|
| 1       | 647-192W | 2    | CASTER WELDMENT               | 10      | F-1456    | 2    | 3/16 ROLL PIN                  |
| 2       | 647-038P | 2    | BEARING SPACER                | 11      | D-2008-02 | 4    | BEARING, SPD SF-16-32          |
| 3       | 636-177P | 2    | BEARING CAP                   | 12      | F-1009-02 | 2    | 5/16" FLAT WASHER              |
| 4       | 611-135P | 4    | BEARING SHIELD                | 13      | F-1019-02 | 2    | 5/16" LOCK WASHER              |
| 5       | D-3432   | 4    | BEARING, 5/8 ID X 1 3/8 OD    | 14      | F-1863    | 2    | 5/16-18 x 1" W/NYLON PATCH     |
| 6       | F-1855   | 2    | 3/16" X 1" ROLL PIN           | 15      | 642-189W  | 1    | FRONT AXLE WELDMENT            |
| 7       | D-3670   | 2    | FRONT TIRE/WHEEL              | 16      | H-1056    | 2    | GREASE ZERK                    |
| 8       | F-2159   | 2    | HHCS 1/2-13x9 1/2" GR. 5 BOLT | 17      | 659-187P  | 2    | STOP TAB                       |
| 9       | F-2152   | 2    | NUT, 1/2-13 NYLOC FLANGED     | 18      | F-2030    | 4    | 1/4" X 5/8" SELF TAPPING SCREW |

# FRAME SIDES & RELATED PARTS



| REF NO. | PART NO.  | QTY. | DESCRIPTION                  | REF NO. | PART NO.  | QTY. | DESCRIPTION              |
|---------|-----------|------|------------------------------|---------|-----------|------|--------------------------|
| 1       | 663-185W  | 1    | FRAME SIDE RH.               | 16      | F-2124    | 4    | FHCS, 3/8-16 X 3/4" GR.5 |
| 2       | 663-187W  | 1    | FRAME SIDE LH.               | 17      | F-2128    | 2    | FHCS, 1/2-13 X 2", GR.5  |
| 3       | 709-157W  | 1    | AXLE MOUNTING WLDT.          | 18      | H-2812    | 1    | SEAL SHAFT               |
| 4       | 663-176W  | 1    | MOTOR MOUNT WLDT.            | 19      | D-3825    | 1    | BEARING, TAPARED SET     |
| 5       | 663-188P  | 1    | SIDE PANEL RH. (JOYSTICK)    | 20      | 642-189W  | 1    | FRONT AXLE WELDMENT      |
| -       | 663-195P  | 1    | SIDE PANEL RH. (TWINSTICK)   | 21      | P-12980   | 1    | DECAL, CC, CHROME, LG    |
| 6       | 663-189P  | 1    | SIDE PANEL LH. (JOYSTICK)    | 22      | F-2126    | 2    | FHCS, 3/8-16 X 2" GR.5   |
| -       | 663-196P  | 1    | SIDE PANEL LH. (TWINSTICK)   | 23      | D-3826    | 1    | BEARING, TAPARED SET     |
| 7       | F-1386    | 2    | 1/2-13 X 1-1/4" GR.5         | 24      | 606-303P  | 1    | 1" WASHER                |
| 8       | 625-131A  | 1    | ENGINE GUARD w/DECAL         | 25      | F-1728    | 1    | 3/16 X 2" COTTER PIN     |
| 9       | F-2140    | 4    | FHCS, 1/2-13 X 1-1/2" GR.5   | 26      | F-1724    | 1    | 1-14 SLOTTED NUT         |
| 10      | 642-063P  | 2    | DRAG BAR TAB                 | 27      | H-1924    | 1    | GREASE CAP               |
| 11      | H-2773    | 2    | BEARING, FLG-SPHERICAL, IGUS | 28      | F-2125    | 4    | FHCS, 3/8-16 X 1-1/4"    |
| 12      | F-1005-03 | 10   | 3/8-16 STOVER NUT            | 29      | 707-003P  | 1    | GUARD, BUMPER            |
| 13      | F-2128    | 1    | FHCS, 1/2-13 X 2 GR.5        | 30      | 663-120P  | 1    | PLATE, SPRING MOUNT      |
| 14      | F-2127    | 15   | FHCS, 1/2-13 X 1-1/4" GR.5   | 31      | F-1011-05 | 1    | HEX NUT, 1/2-13          |
| 15      | F-1005-05 | 18   | 1/2-13 LOCK NUT              |         |           |      |                          |

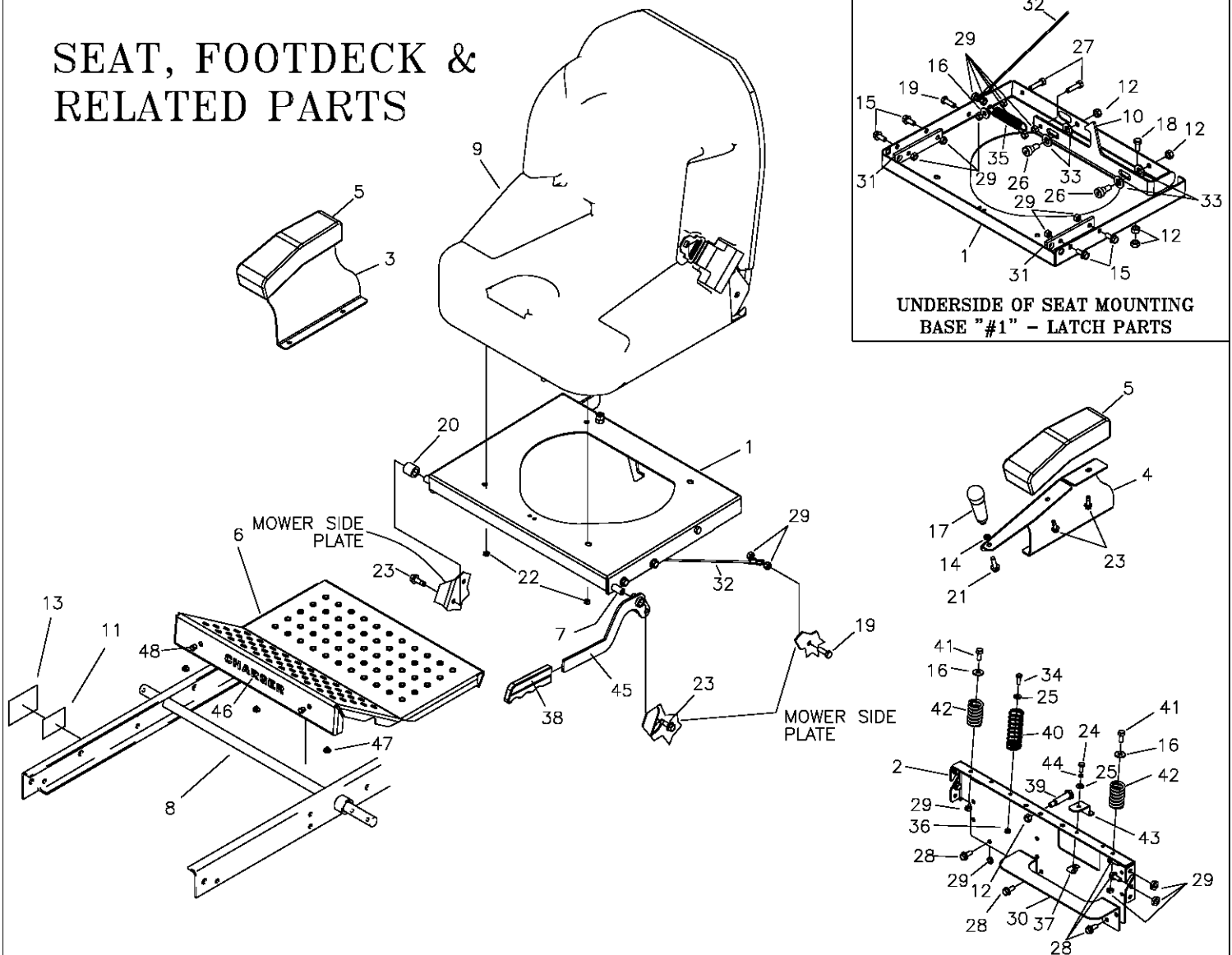
# FENDER ASSEMBLY & RELATED PARTS



**TWINSTICK FENDER ASSY**

| REF NO. | PART NO. | QTY. | DESCRIPTION                         | REF NO. | PART NO. | QTY. | DESCRIPTION                   |
|---------|----------|------|-------------------------------------|---------|----------|------|-------------------------------|
| 1       | 629-840A | 1    | FENDER CAP w/DECAL, RH, (JOYSTICK)  | 14      | 629-854A | 1    | LOCK PIN, DECK HEIGHT, ASS'Y  |
| -       | 629-842A | 1    | FENDER CAP w/DECAL, RH, (TWINSTICK) | 15      | F-2121   | 8    | FHCS, 5/16-18x1" GR.5 w/PATCH |
| 2       | P-12925  | 1    | DECAL, CONTROL PANEL                | 16      | F-2120   | 15   | FHCS, 5/16-18 X 3/4" GR.5     |
| 3       | 629-841A | 1    | FENDER CAP w/DECAL, LH (JOYSTICK)   | 17      | 629-832A | 1    | FRONT PANEL w/DECALS          |
| -       | 629-843A | 1    | FENDER CAP w/DECAL, LH (TWINSTICK)  | 18      | F-1860   | 6    | 5/16-18 "U"-NUT               |
| 4       | P-11382  | 1    | DECAL, PARK BRAKE                   | 19      | F-1858   | 8    | 1/4-20 "U"-NUT                |
| 5       | 629-844A | 1    | FENDER SKIRT w/DECAL, RH            | 20      | H-2228   | 1    | CUP HOLDER                    |
| 6       | 629-845A | 1    | FENDER SKIRT w/DECAL, LH            | 21      | P-12034  | 1    | DECAL, "CUT HEIGHT"           |
| 7       | P-12979  | 2    | DECAL, CC, CHROME, SM               | 22      | P-13000  | 1    | DECAL, "USA"                  |
| 8       | 647-097A | 1    | LATCH PLATE RH W/DECAL              | 23      | P-12557  | 1    | DECAL, "CAUTION"              |
| 9       | 647-095P | 1    | LATCH PLATE LH.                     | 24      | P-11370  | 1    | DECAL, WARNING                |
| 10      | -----    | 1    | SEE PAGE 11                         | 25      | H-1626   | 1    | U CHANNEL TRIM                |
| 11      | -----    | 1    | SEE PAGE 11                         | 26      | 659-262P | 1    | NEUTRAL PLATE                 |
| 12      | F-2119   | 8    | FHCS, 1/4-20x3/4", GR.5 w/PATCH     |         |          |      |                               |
| 13      | F-1125   | 13   | 5/16-18 LOCK NUT                    |         |          |      |                               |

# SEAT, FOOTDECK & RELATED PARTS

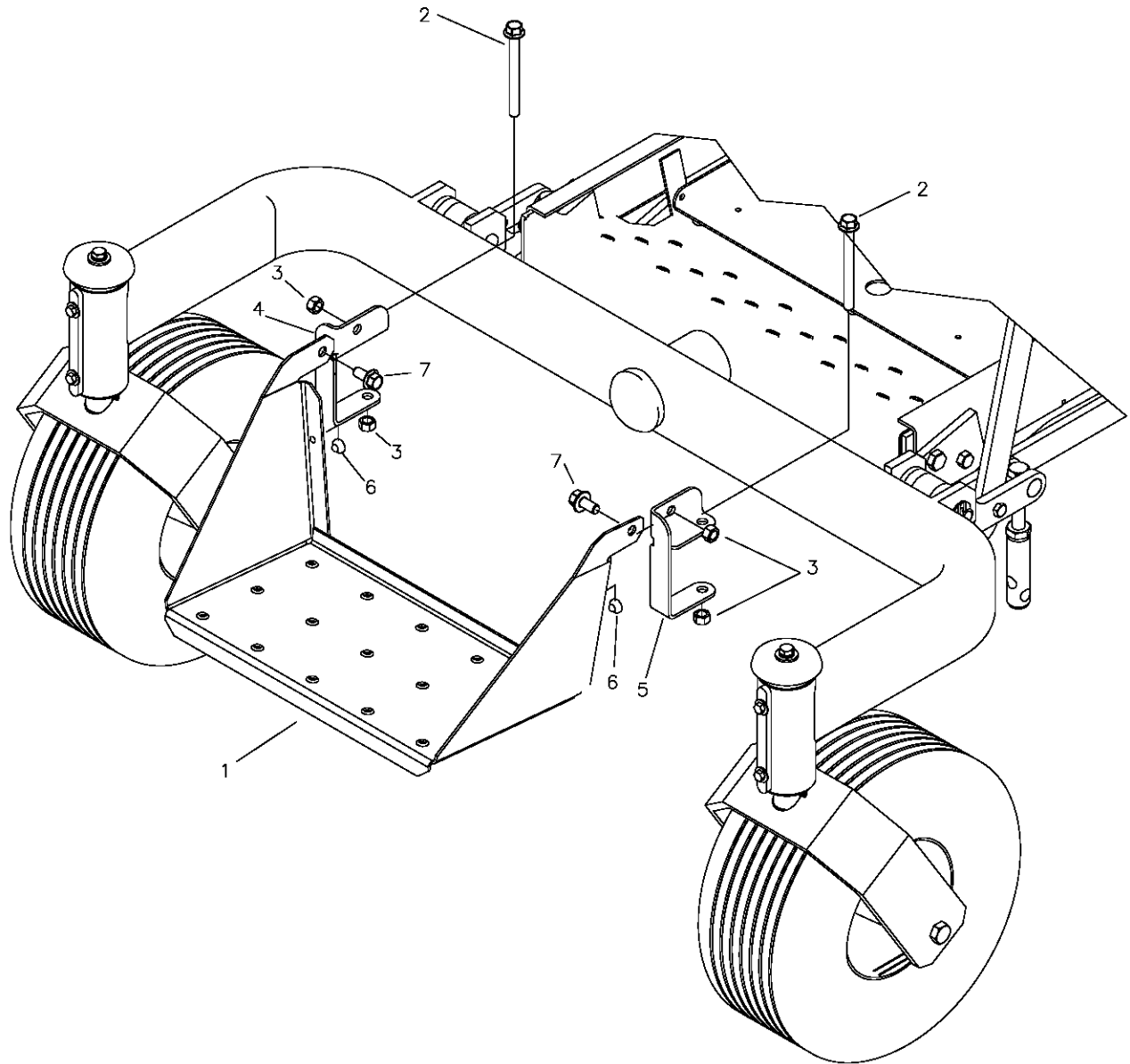


UNDERSIDE OF SEAT MOUNTING  
BASE "#1" - LATCH PARTS

| REF NO. | PART NO.  | QTY. | DESCRIPTION                    | REF NO. | PART NO.  | QTY. | DESCRIPTION                    |
|---------|-----------|------|--------------------------------|---------|-----------|------|--------------------------------|
| 1       | 663-194P  | 1    | PLATE, SEAT                    | 25      | F-1009-01 | 2    | 1/4" FLAT WASHER               |
| 2       | 663-197P  | 1    | PLT, REAR SEAT FILLER          | 26      | F-2062    | 2    | 1/2"x3/8 SHOULDER BOLT, SOCKET |
| 3       | 707-047P  | 1    | PLATE, ARM REST RH             | 27      | F-1175    | 2    | 5/16-18 X 1 1/4", GR.5         |
| 4       | 707-070P  | 1    | PLATE, ARM REST LH (JOYSTICK)  | 28      | F-2120    | 8    | FHCS, 5/16-18x3/4" GR5         |
| -       | 707-048P  | 1    | PLATE, ARM REST LH (TWINSTICK) | 29      | F-1125    | 20   | 5/16-18 STOVER NUT             |
| 5       | H-2763    | 2    | PAD, ARM REST                  | 30      | 707-066P  | 1    | SHELF, REAR, FUEL TANK         |
| 6       | 629-846A  | 1    | FOOT DECK w/DECAL, CHARGER     | 31      | 707-045P  | 2    | BAR, REINFORCEMENT, SEAT       |
| 7       | 707-043P  | 1    | PIN, SEAT HINGE                | 32      | H-2460    | 1    | CABLE                          |
| 8       | 620-051P  | 1    | LIFT BAR                       | 33      | F-1521    | 4    | 1/2" WASHER                    |
| 9       | H-2755    | 1    | SEAT                           | 34      | F-1538    | 1    | 1/4-20x3/4" CAPSCREW           |
| 10      | 663-081P  | 1    | PLATE, LATCH SLIDE LONG        | 35      | H-1635    | 1    | 3/4x4" EXTENSION SPRING        |
| 11      | P-13044   | 1    | SERIAL TAG                     | 36      | F-1005-01 | 1    | 1/4-20 STOVER NUT              |
| 12      | F-1005-03 | 7    | 3/8-16 LOCK NUT                | 37      | F-1858    | 1    | 1/4-20 "U" NUT                 |
| 13      | P-12473   | 1    | SERIAL TAG LAMINATION DECAL    | 38      | H-1926    | 1    | HANDLE, GRIP                   |
| 14      | F-1486    | 1    | 3/8-16 JAM NUT                 | 39      | F-2061    | 1    | 1/2"x1 1/2" SHOULDER BOLT      |
| 15      | F-2120    | 4    | FHCS, 5/16-18x3/4" GR5         | 40      | H2608     | 1    | SPRING, ASSIST                 |
| 16      | F-1009-02 | 3    | 5/16 FLAT WASHER               | 41      | F-1546    | 2    | 5/16-18x3/4" CAPSCREW          |
| 17      | H-2764    | 1    | HANDLE, JOYSTICK               | 42      | H-2636    | 2    | SPRING, CMPR, SEAT CHARGER     |
| 18      | F-1394    | 1    | 3/8-16 X " GR. 5               | 43      | 659-137P  | 1    | BATTERY HOLD DOWN              |
| 19      | F-1015-15 | 2    | 5/16-18 x 1" CAPSCREW          | 44      | F-1019-01 | 1    | 1/4" LOCK WASHER               |
| 20      | 707-046P  | 1    | SPACER, SEAT PAN               | 45      | 663-205W  | 1    | WLDT, BRAKE HANDLE             |
| 21      | F-2125    | 1    | FHCS, 5/16-18x1-1/4" GR5       | 46      | P-12982   | 1    | DECAL, CHARGER, CHROME         |
| 22      | F-2063    | 4    | 3/8-16 NYLOC NUT, FLANGED      | 47      | H-2461    | 3    | RUBBER BUMPER                  |
| 23      | F-2121    | 6    | FHCS 5/16-18x1" w/PATCH        | 48      | H-1280    | 2    | PLASTIC PLUG                   |
| 24      | F-1015-02 | 1    | 1/4-20 X 5/8", GR.5            |         |           |      |                                |

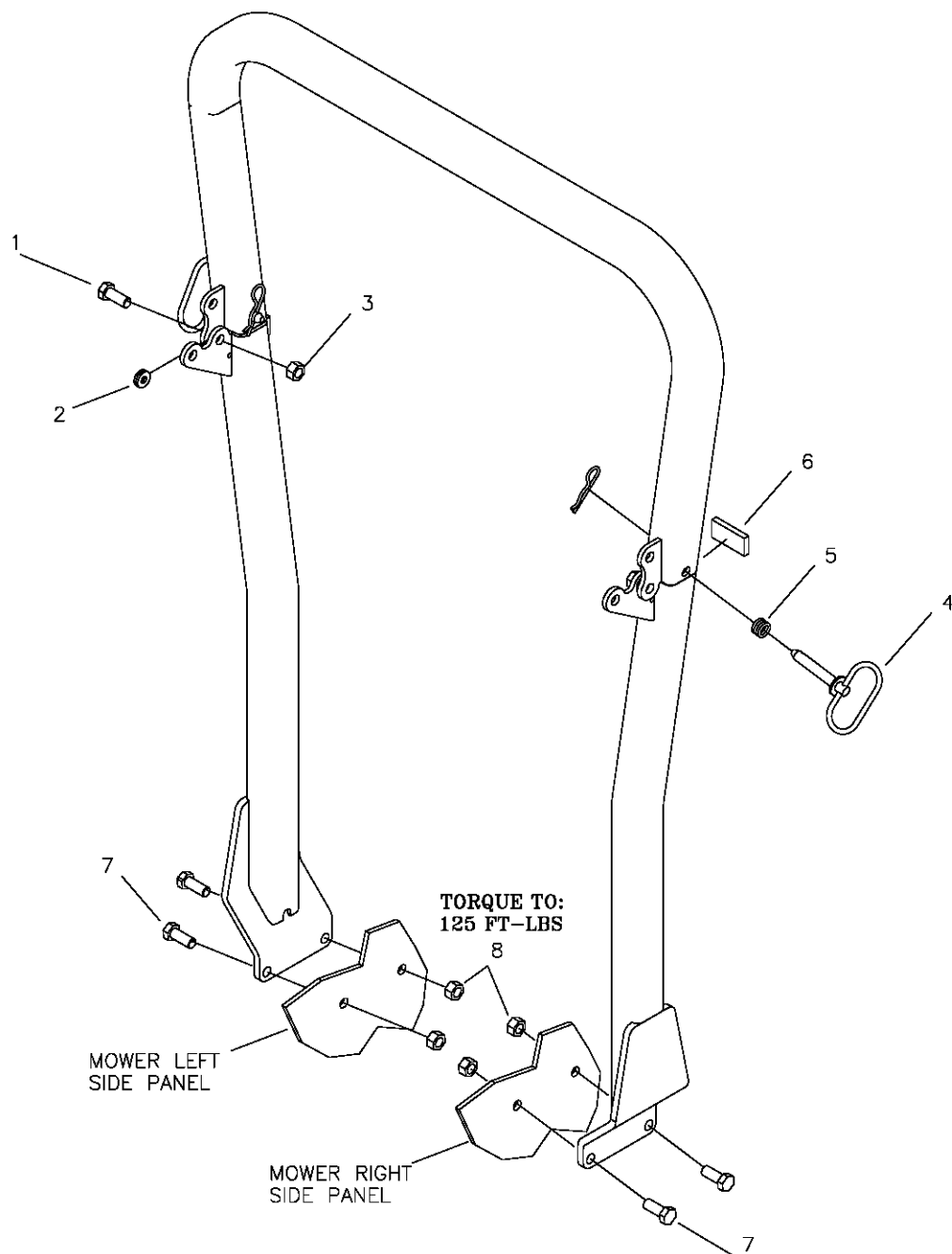


# FRONT STEP ASSEMBLY



| REF NO. | PART NO.  | QTY. | DESCRIPTION              |
|---------|-----------|------|--------------------------|
| 1       | 663-134P  | 1    | FRONT STEP               |
| 2       | F-2142    | 2    | FHCS, 3/8-16 X 4" GR.5   |
| 3       | F-1005-03 | 4    | 3/8-16 LOCK NUT          |
| 4       | 659-241P  | 1    | BRACKET, STEP MOUNT, RH  |
| 5       | 659-242P  | 1    | BRACKET, STEP MOUNT, LH  |
| 6       | H-2461    | 2    | RUBBER BUMPER BUTTON     |
| 7       | F-2124    | 2    | FHCS, 3/8-16 X 3/4" GR.5 |

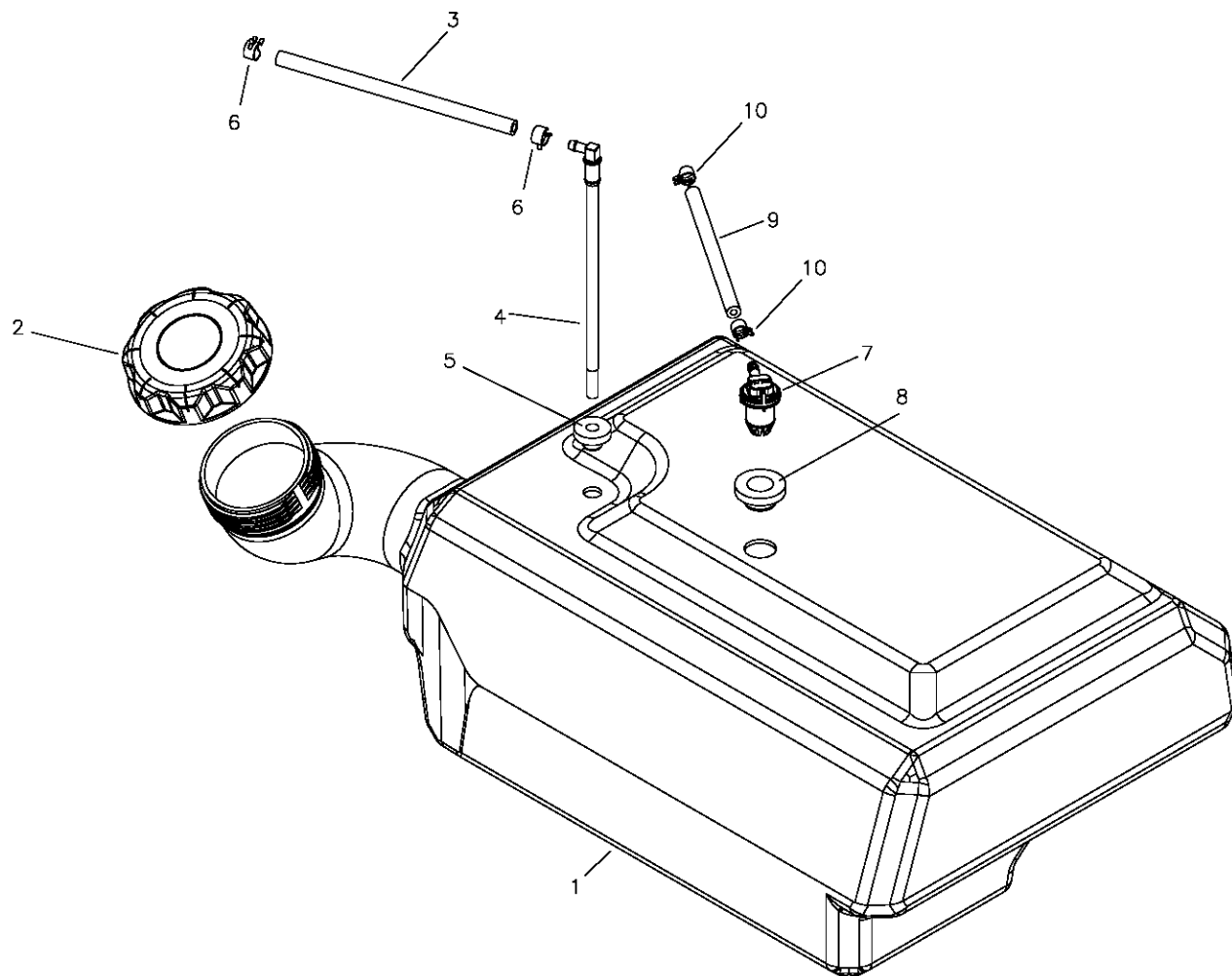
# ROPS ASSEMBLY (H-2682) AND RELATED PARTS



| REF NO. | PART NO. | QTY. | DESCRIPTION               |
|---------|----------|------|---------------------------|
| 1       | F-2088   | 2    | HHCS 1/2-13 x 1 1/4"      |
| 2       | F-2089   | 2    | FLAT WASHER 1/2"φ         |
| 3       | F-2090   | 2    | TOP LOCK NUT 1/2"φ        |
| 4       | F-2093   | 2    | PULL PIN-1/2 W/COTTER KEY |
| 5       | H-2701   | 2    | SPRING                    |
| 6       | H-2700   | 2    | POLYURETHANE CHANNEL      |
| 7       | F-2091   | 4    | HHCS 1/2-13 x 1 1/2"      |
| 8       | F-2092   | 4    | NLN 1/2-13 GR 8           |

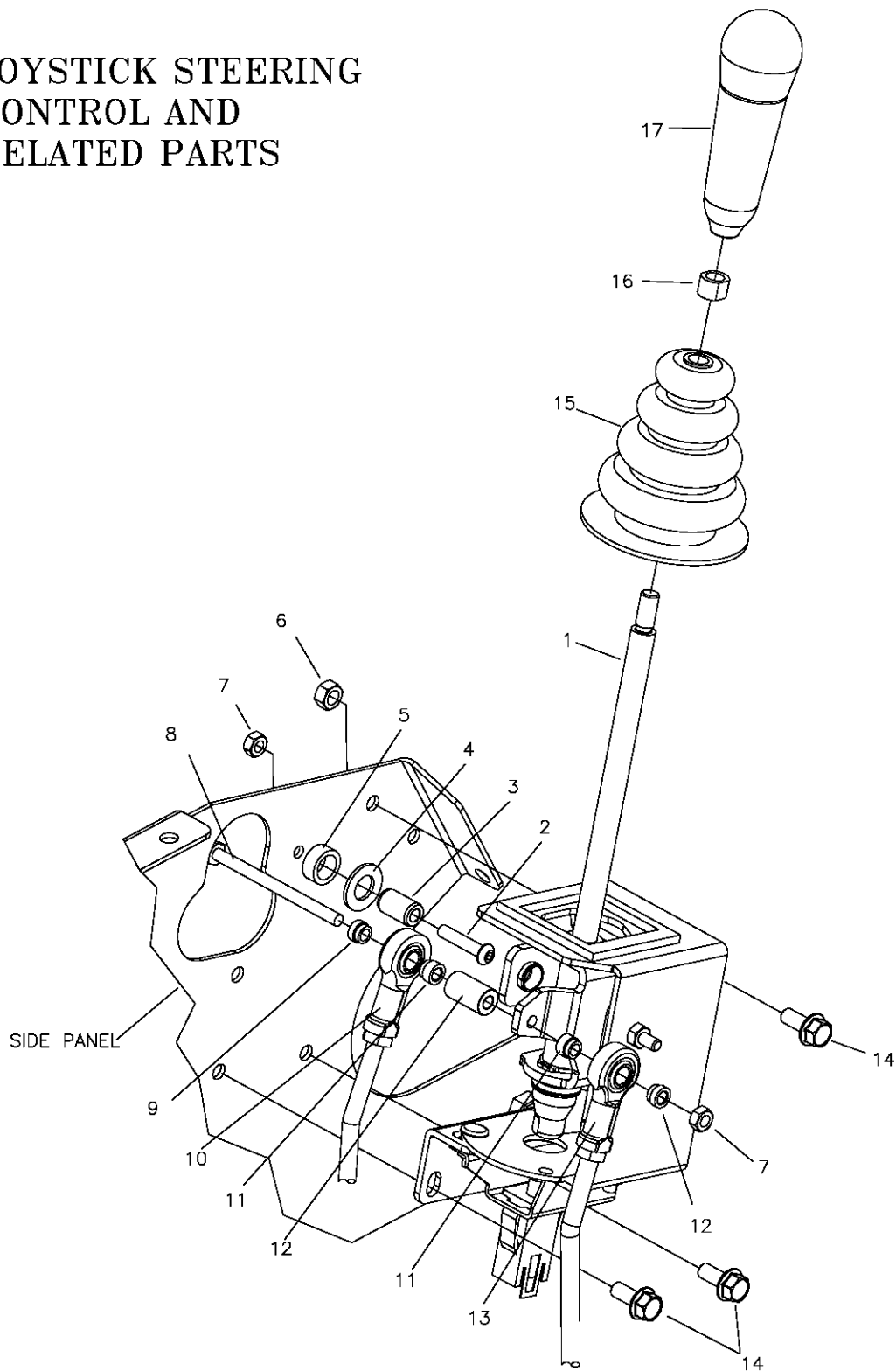
# FUEL TANK ASSEMBLY H-2725

(INCLUDES ALL PARTS EXCEPT #2)



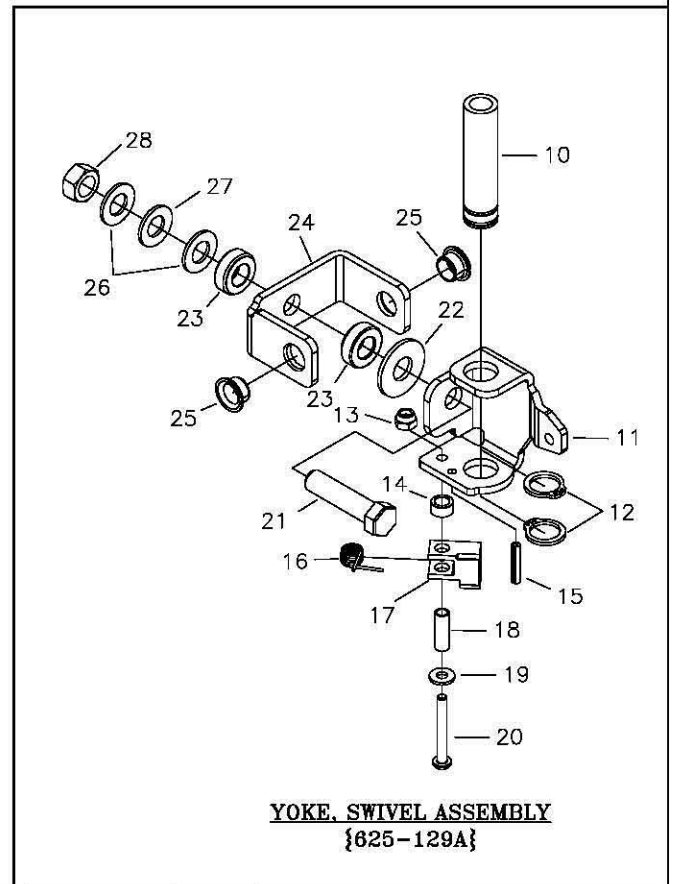
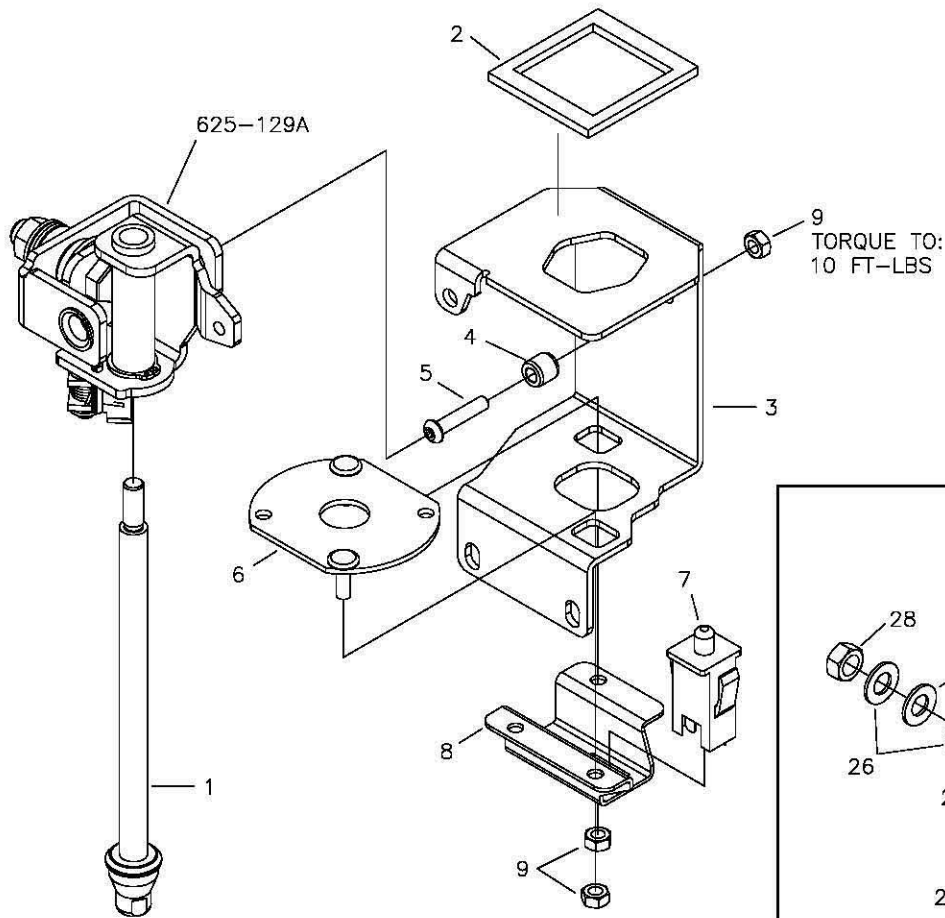
| REF NO. | PART NO. | QTY.  | DESCRIPTION           |
|---------|----------|-------|-----------------------|
| 1       | -----    | -     | 8 GALLON TANK, VENTED |
| 2       | H-2743   | 1     | GAS CAP, RATCHET      |
| 3       | H-1648   | 4.0ft | FUEL LINE             |
| 4       | H-2742   | 1     | PICK UP TUBE          |
| 5       | H-2741   | 1     | GROMMET, PICK UP TUBE |
| 6       | H-1687   | 2     | HOSE CLAMP, 1/2"      |
| 7       | H-2678   | 1     | REMOTE VENT           |
| 8       | H-2679   | 1     | REMOTE VENT GROMMET   |
| 9       | H-2697   | 4.0ft | VENT LINE             |
| 10      | H-2698   | 2     | VENT LINE CLAMP       |

# JOYSTICK STEERING CONTROL AND RELATED PARTS



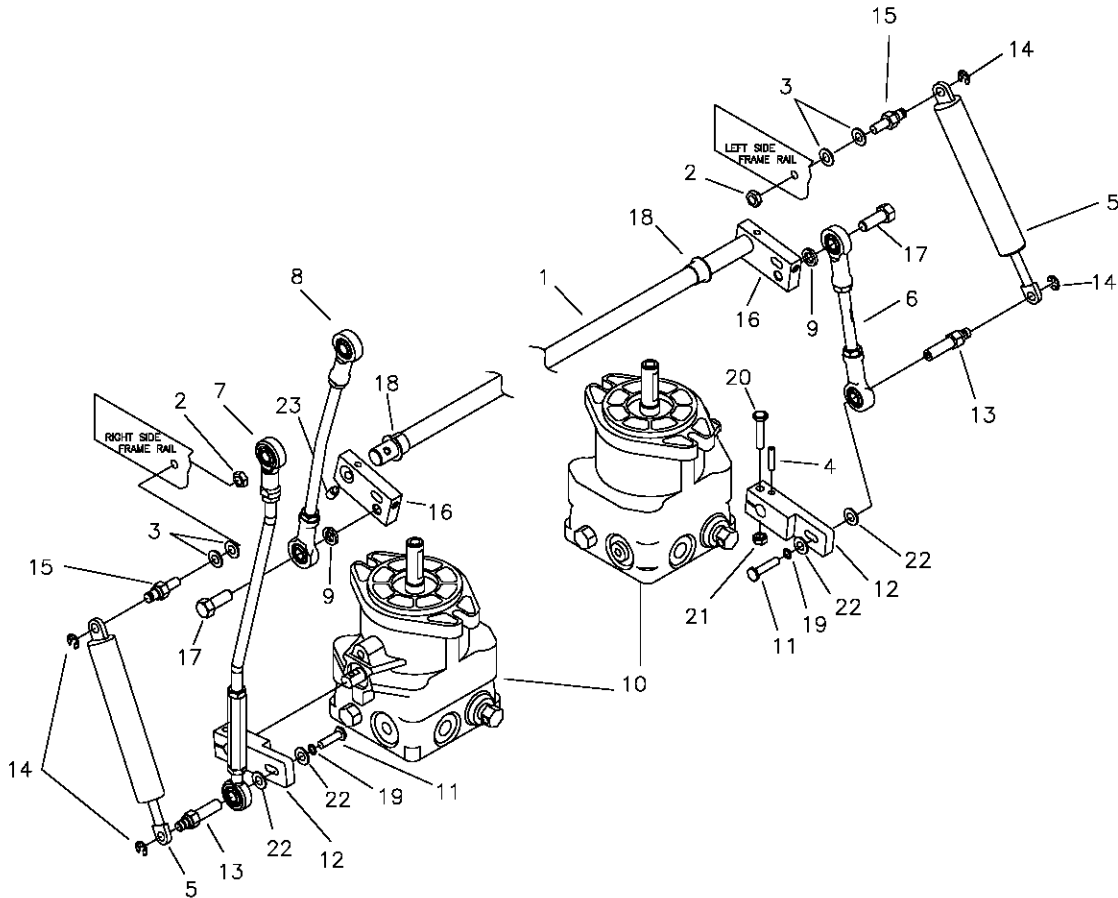
| REF NO. | PART NO.  | QTY. | DESCRIPTION                  | REF NO. | PART NO. | QTY. | DESCRIPTION              |
|---------|-----------|------|------------------------------|---------|----------|------|--------------------------|
| 1       | 625-121A  | 1    | JOYSTICK ASSEMBLY            | 10      | 707-082P | 1    | LINKAGE, INNER, JOYSTICK |
| 2       | F-2103    | 1    | BUTTON SHCS, 1/4-20x1"       | 11      | 625-107P | 1    | BUSHING, .375 ROD END    |
| 3       | 625-119P  | 1    | PIN, PIVOT, JS, LONG         | 12      | 625-100P | 1    | TUBE, PIVOT, JOYSTICK    |
| 4       | F-1521    | 1    | 1/2" WASHER                  | 13      | 707-083P | 1    | OUTER, LINKAGE, JOYSTICK |
| 5       | 625-126P  | 1    | SPACER, JOYSTICK PANEL       | 14      | F-2120   | 3    | FHCS, 5/16-18 x 3/4" GR5 |
| 6       | F-1125    | 3    | 5/16-18 STOVER NUT           | 15      | H-1991   | 1    | BOOT                     |
| 7       | F-1005-01 | 1    | 1/4-20 LOCK NUT              | 16      | H-2765   | 1    | NUT, JOYSTICK            |
| 8       | F-1020-01 | 1    | 1/4-20 x 3-1/2" CAPSCREW     | 17      | H-2764   | 1    | HANDLE, JOYSTICK         |
| 9       | 625-116P  | 1    | BUSHING, .375 ROD END, SHORT |         |          |      |                          |

# JOYSTICK ASSEMBLY 625-121A



| ITEM | PART #    | QTY. | DESCRIPTION                  | ITEM | PART #    | QTY. | DESCRIPTION                         |
|------|-----------|------|------------------------------|------|-----------|------|-------------------------------------|
| 1    | 625-130A  | 1    | ROD ASSEMBLY, SHORT          | 15   | F-1503    | 1    | 3/16 x 1" SPIRAL PIN                |
| 2    | H-1947    | 1    | GASKET, FOAM, JOYSTICK       | 16   | H-2710    | 1    | SPRING, DETENT, JOYSTICK            |
| 3    | 625-095P  | 1    | HOUSING, JOYSTICK            | 17   | 625-103P  | 1    | TAB, CAM DETENT                     |
| 4    | 625-106P  | 1    | PIN, PIVOT, JOYSTICK         | 18   | 625-124P  | 1    | TUBE-SPACER, DETENT CAM             |
| 5    | F-2103    | 1    | BUTTON SHCS, 1/4-20 x 1", CZ | 19   | F-2136    | 1    | WASHER, FLAT, #12 PLAIN             |
| 6    | 625-127W  | 1    | NEUTRAL PLATE, WLDT          | 20   | F-2135    | 1    | SCR, PANHD, PHLPS, #12-24x1-3/4"    |
| 7    | E-6474    | 1    | SWITCH, SNAP MOUNT           | 21   | F-1293    | 1    | 1/2-13 x 2" CAPSCREW                |
| 8    | 659-285P  | 1    | MOUNT, SWITCH                | 22   | F-1009-05 | 1    | 1/2" FLAT WASHER                    |
| 9    | F-1005-01 | 3    | 1/4-20 LOCK NUT              | 23   | D-3857    | 2    | THRUST BEARING                      |
| 10   | 625-099P  | 1    | TUBE, GUIDE, CONTROL ROD     | 24   | 625-097P  | 1    | PIVOT, JOYSTICK (PART OF 625-128A)  |
| 11   | 625-096P  | 1    | YOKE, SWIVEL, JOYSTICK       | 25   | D-3784    | 2    | BUSHING, FLANGED (PART OF 625-128A) |
| 12   | H-2705    | 2    | RING, DETENT, .75 EXT.       | 26   | F-1521    | 2    | 1/2" WASHER, CUSTOM                 |
| 13   | F-2137    | 1    | NUT, #12-24, NYLOCK          | 27   | H-2704    | 1    | SPRING, BELLEVILLE, .50x1x.073      |
| 14   | 625-125P  | 1    | SPACER, CAM DETENT           | 28   | F-1005-05 | 1    | 1/2-13 STOVER NUT                   |

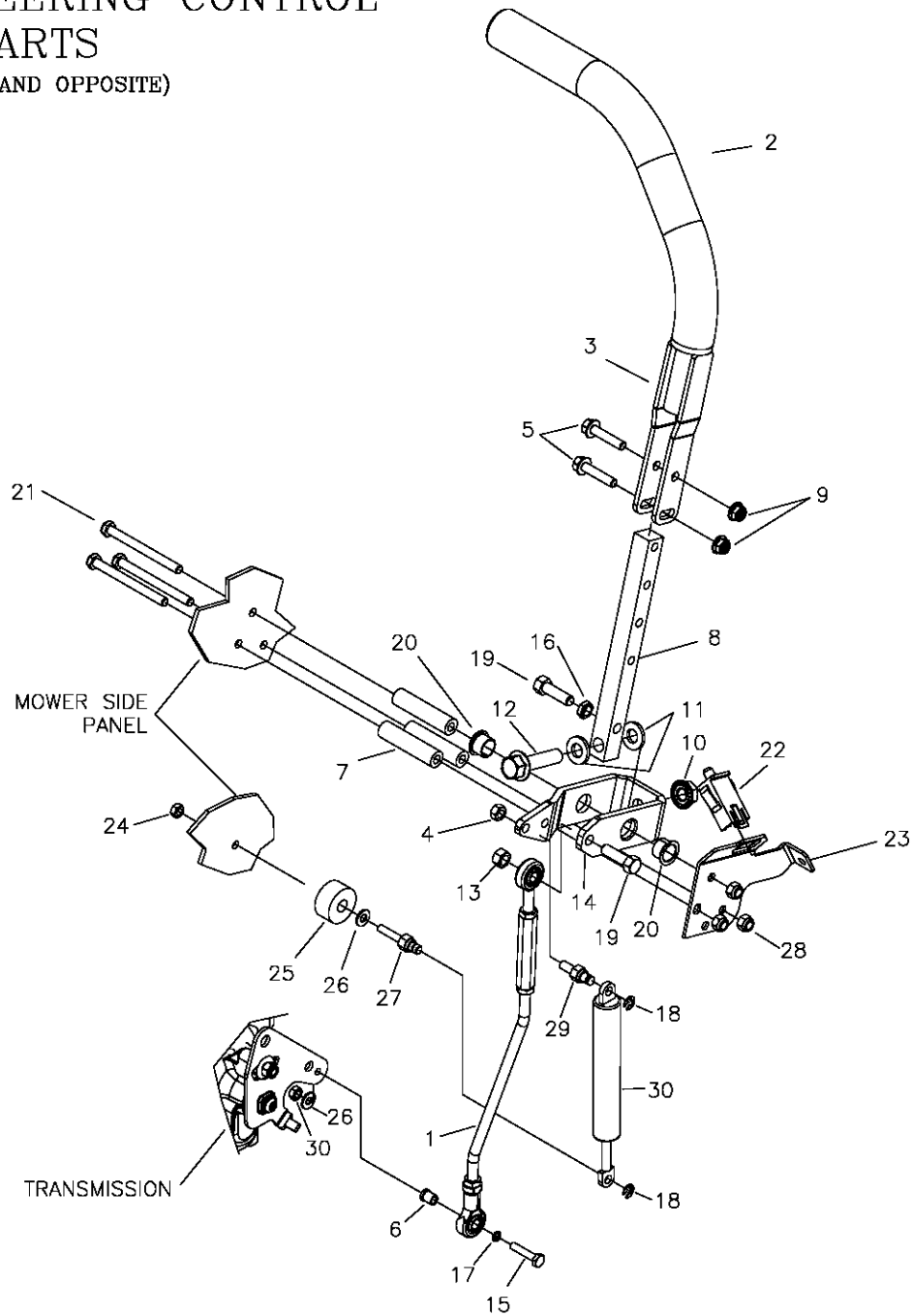
# JOYSTICK STEERING CONTROL AND RELATED PARTS (CON'T)



| REF NO. | PART NO.  | QTY. | DESCRIPTION                   |
|---------|-----------|------|-------------------------------|
| 1       | 700-055P  | 1    | HYDRO SHIFT ROD               |
| 2       | F-1125    | 2    | 5/16" STOVER NUT              |
| 3       | F-1009-02 | 4    | 5/16" FLAT WASHER             |
| 4       | F-1725    | 2    | 5MM x 26MM ROLL PIN           |
| 5       | H-2467    | 2    | DUAL ACTION DAMPER, LITE DUTY |
| 6       | H-2468    | 1    | LINKAGE, JOYSTICK             |
| 7       | 707-083P  | 1    | OUTER, LINKAGE, JS            |
| 8       | 707-082P  | 1    | LINKAGE, INNER, JS            |
| 9       | F-1019-03 | 2    | 3/8" LOCK WASHER              |
| 10      | ----      | -    | SEE PAGE 23                   |
| 11      | F-1015-05 | 2    | 1/4-20 X 1" BOLT GR 5         |
| 12      | 663-135P  | 2    | LEVER, CONTROL                |
| 13      | 663-051P  | 2    | DAMPNER BOLT, FEMALE          |
| 14      | F-1610    | 4    | E-RING                        |
| 15      | 638-028P  | 4    | 5/16-18 X 3/4" DAMPNER BOLT   |
| 16      | 625-122A  | 2    | SWIVEL ARM                    |
| 17      | F-1394    | 2    | 3/8-16 X 1" CAPSCREW          |
| 18      | D-3730    | 2    | BUSHING                       |
| 19      | F-1019-01 | 2    | 1/4" LOCK WASHER              |
| 20      | F-1539    | 2    | 1/4-20 X 1 1/4" CAPSCREW      |
| 21      | F-1158    | 2    | 1/4-20 STOVER NUT             |
| 22      | F-1009-01 | 4    | 1/4" FLAT WASHER              |
| 23      | F-2080    | 2    | 5/16-18 SETSCREW (EXT POINT)  |

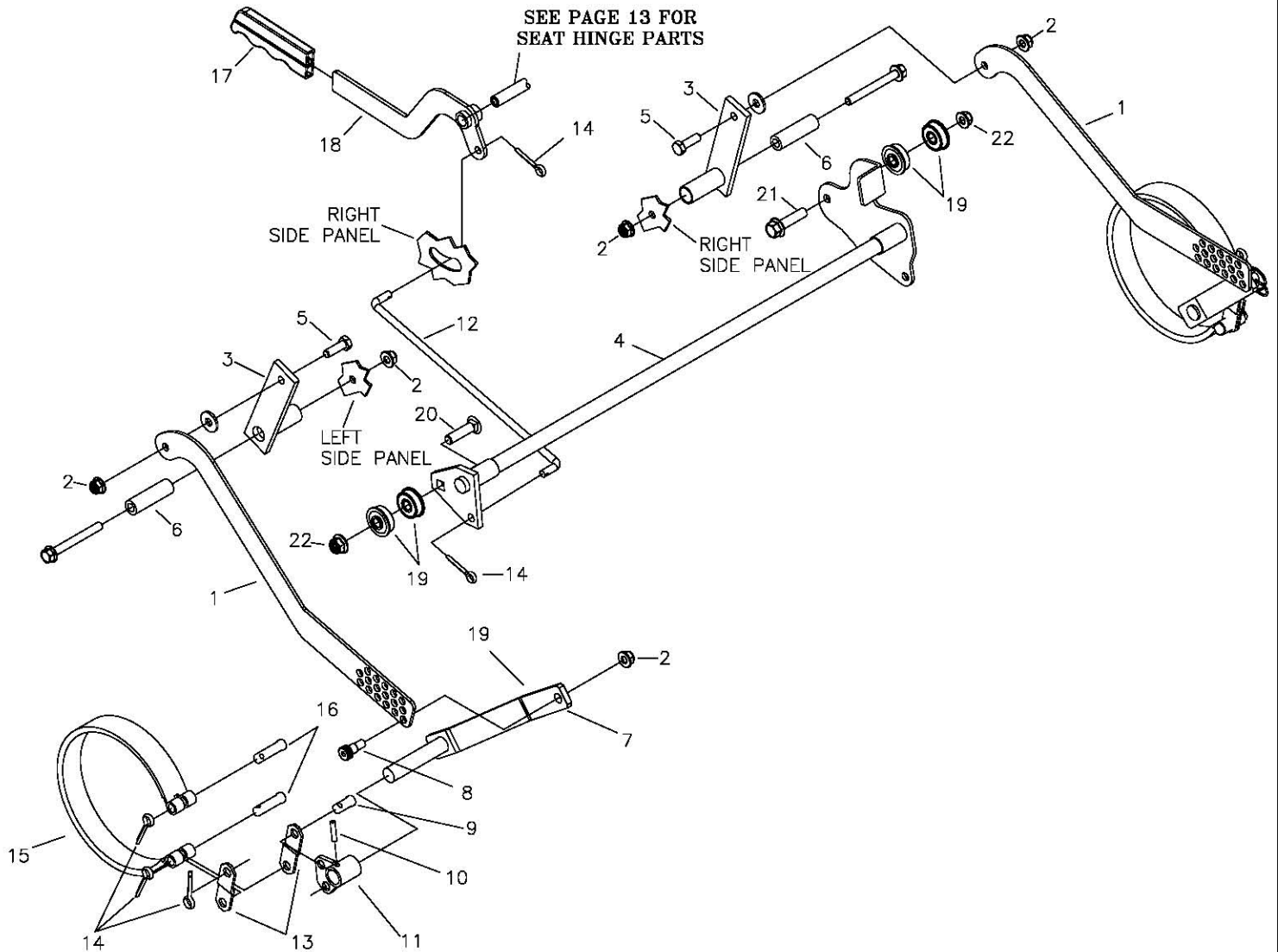
# TWINSTICK STEERING CONTROL & RELATED PARTS

(RIGHTHAND SHOWN, LEFTHAND OPPOSITE)



| REF NO. | PART NO.  | QTY. | DESCRIPTION                    | REF NO. | PART NO.  | QTY. | DESCRIPTION                 |
|---------|-----------|------|--------------------------------|---------|-----------|------|-----------------------------|
| 1       | 663-050P  | 1    | LINK ROD ASSEMBLY              | 17      | F-1019-01 | 4    | 1/4" LOCK WASHER            |
| 2       | H-2739    | 1    | GRIP, 15", CLOSED END          | 18      | F-1610    | 2    | E-RING FOR 1/4" SHAFT       |
| 3       | 659-364W  | 1    | DUAL LEVER CONTROL             | 19      | F-1307    | 2    | 3/8-16 X 1 1/4" CAPSCREW    |
| 4       | F-1125    | 1    | 5/16 LOCK NUT                  | 20      | D-3730    | 2    | FLANGED BUSHING 5/8" BORE   |
| 5       | F-2129    | 2    | FHCS, 5/16-18 X 1 1/2" w/PATCH | 21      | F-2058    | 3    | 5/16-18 x 3 1/2" CAPSCREW   |
| 6       | H-2465    | 1    | ADAPTER, ROD END, LONG         | 22      | E-6474    | 1    | SWITCH, SNAP MOUNT          |
| 7       | 659-252P  | 3    | TUBE SPACER                    | 23      | 647-242P  | 1    | MOUNTING BRACKET (RH)       |
| 8       | 659-365P  | 1    | LOWER SHIFT BLOCK              | --      | 647-243P  | 1    | MOUNTING BRACKET (LH)       |
| 9       | F-2063    | 1    | 5/16-18 NYLOC NUT              | 24      | F-1158    | 1    | 1/4-20 STOVER NUT           |
| 10      | F-2060    | 2    | 1/2-13 NUT, FLANGE LOCK        | 25      | F-2045    | 1    | SPACER                      |
| 11      | 606-151P  | 2    | WASHER, NYLON 1/2 ID x 1/8"    | 26      | F-1009-01 | 2    | 1/4" FLAT WASHER            |
| 12      | F-2128    | 1    | FHCS, 1/2-13 x 2" GR5          | 27      | 638-029P  | 1    | DAMPER BOLT, 1/4-20         |
| 13      | F-1005-03 | 1    | 3/8-16 STOVER NUT              | 28      | F-1005-02 | 3    | 1/4-20 NYLOC NUT            |
| 14      | 659-243P  | 1    | SHIFTING YOKE                  | 29      | 638-028P  | 1    | DAMPER BOLT, 5/16-18 X 3/4" |
| 15      | F-1539    | 1    | 1-4-20 x 1-1/4" CAPSCREW       | 30      | H-2843    | 1    | DUAL ACTION DAMPNER, 750N   |
| 16      | F-1486    | 2    | 3/8-16 JAM NUT                 |         |           |      |                             |

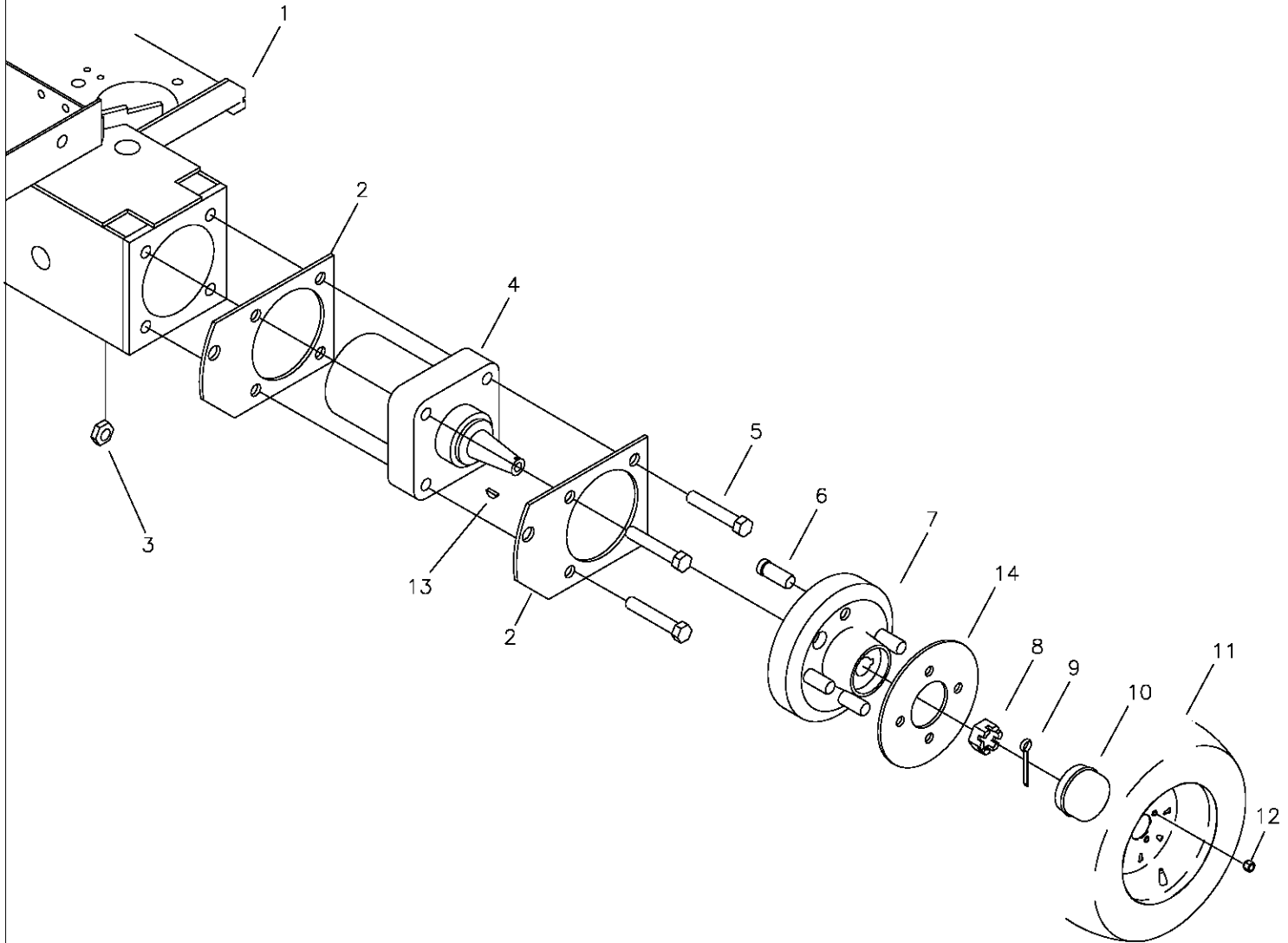
# PARKING BRAKE ASSEMBLY & RELATED PARTS



| REF NO. | PART NO.  | QTY. | DESCRIPTION                    | REF NO. | PART NO. | QTY. | DESCRIPTION                    |
|---------|-----------|------|--------------------------------|---------|----------|------|--------------------------------|
| 1       | 663-165P  | 2    | LINK, ADJUSTABLE, BRAKE        | 12      | 663-122P | 1    | ROD, BRAKE LINK                |
| 2       | F-2063    | 6    | NUT, 1/2" FLANGED, NYLOC       | 13      | 647-010P | 4    | BRAKE ANCHOR LINK              |
| 3       | 663-166W  | 2    | WLDT, CAM LEVER                | 14      | F-1491   | 8    | 1/8 X 1" COTTER PIN            |
| 4       | 663-169W  | 1    | BRAKE ROD WLDT                 | 15      | D-3668   | 2    | BRAKE BAND 6" X 1" WIDE        |
| 5       | F-1015-15 | 2    | 5/16-18 x 1" CAPSCREW          | 16      | F-1444   | 4    | 3/8 X 1 5/16" CLEVIS PIN       |
| 6       | 663-172P  | 2    | PIN, PIVOT                     | 17      | H-1926   | 1    | GRIP HANDLE                    |
| 7       | 663-150W  | 2    | BRAKE ARM WLDT                 | 18      | 663-205W | 1    | WLDT, BRAKE HANDLE             |
| 8       | F-2173    | 2    | SHOULDER BOLT, .37x.37, SOCKET | 19      | D-3911   | 4    | 3/8x1-1/8, FLG BALL BEARING    |
| 9       | F-1438    | 2    | 3/8 X 3/4" CLEVIS PIN          | 20      | F-1177   | 1    | 3/8-16 x 1-1/2" CARRIAGE BOLT  |
| 10      | F-1855    | 2    | ROLL PIN, 3/16 X 1" HVY. DUTY  | 21      | F-2147   | 1    | FHCS, 3/8-16 x 1-1/2", YZ, GR5 |
| 11      | 647-029W  | 1    | SHORT BRAKE ARM (LH)           | 22      | F-2151   | 2    | NUT, 3/8", FLANGED, NYLOC      |
| --      | 647-028W  | 1    | SHORT BRAKE ARM (RH)           |         |          |      |                                |

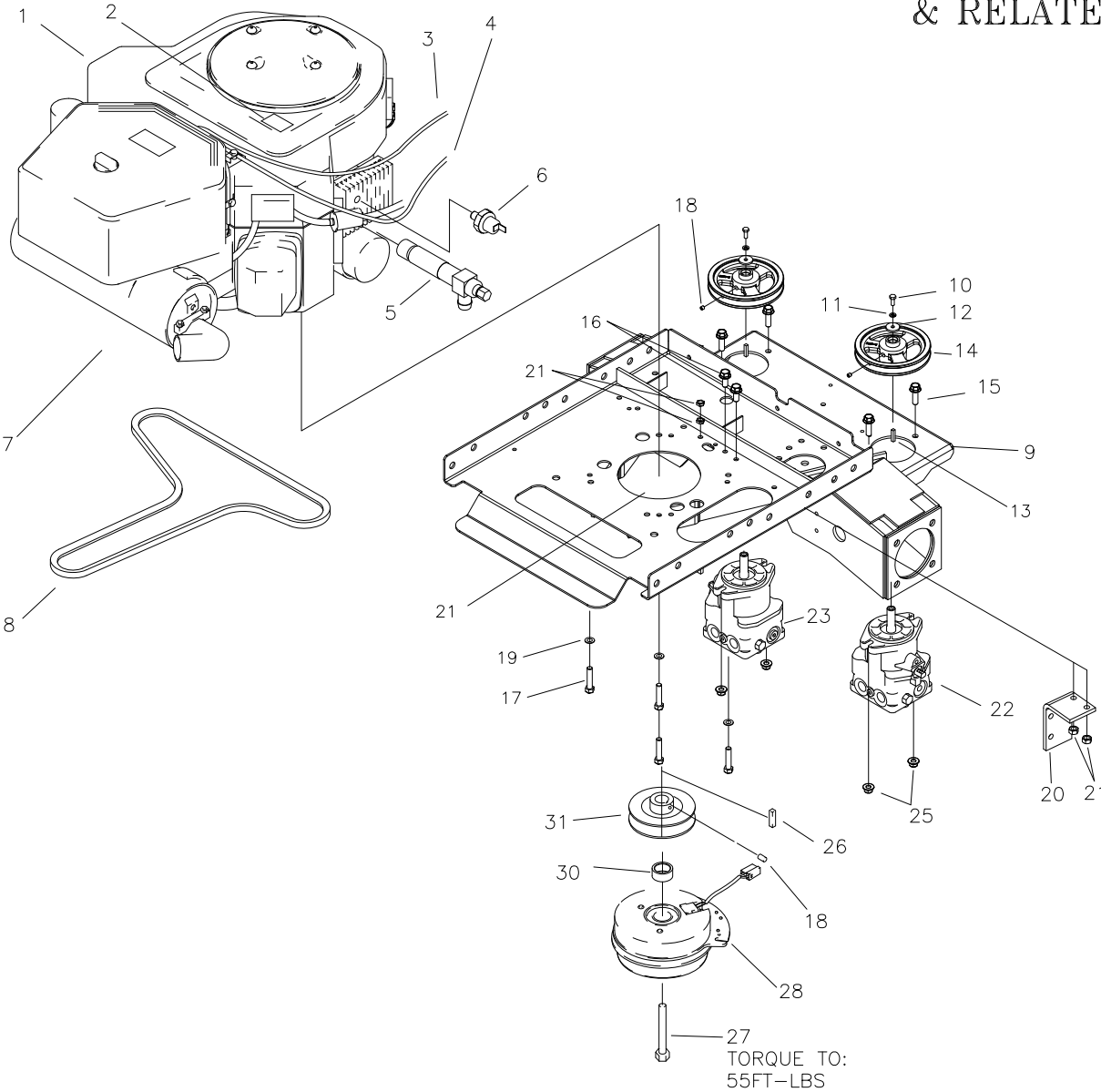


# GEAR MOTOR, WHEEL ASSEMBLY



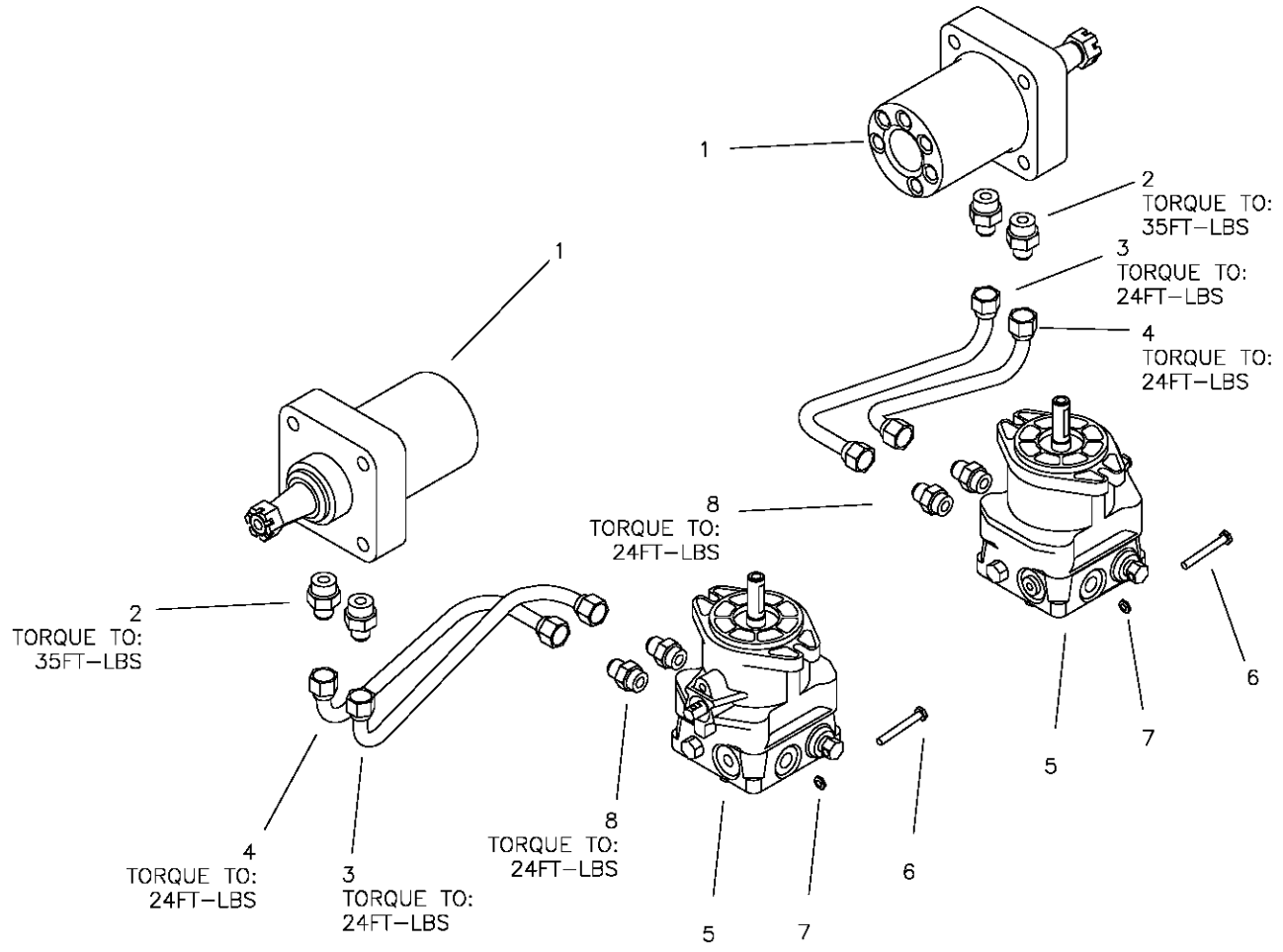
| REF NO. | PART NO.  | QTY. | DESCRIPTION                 |
|---------|-----------|------|-----------------------------|
| 1       | 663-176W  | 1    | MOTOR MOUNT                 |
| 2       | 647-017P  | 4    | BRAKE MOUNT                 |
| 3       | F-1005-05 | 8    | 1/2-13 STOVER NUT           |
| 4       | D-3908    | 2    | 15.9 CIR PARKER WHEEL MOTOR |
| 5       | F-1668    | 8    | 1/2-13 X 2 3/4" BOLT GR. 5  |
| 6       | F-1654    | 8    | WHEEL STUD (REPLACEMENT)    |
| 7       | 663-207A  | 2    | WHEEL HUB                   |
| 8       | F-1909    | 2    | 3/4-16 CASTLE NUT           |
| 9       | F-1396    | 2    | 1/8 X 1 1/2" COTTER PIN     |
| 10      | H-1798    | 1    | GREASE CAP                  |
| 11      | D-3669    | 2    | TIRE/WHEEL ASSEMBLY         |
| 12      | F-1499    | 8    | LUG NUT 1/2-20 X 60 DEG.    |
| 13      | D-1004-01 | 2    | 1/4 X 1" WOODRUFF KEY       |
| 14      | 659-092P  | 2    | WHEEL BACKING PLATE         |

# MOTOR ASSEMBLY & RELATED PARTS



| REF NO. | PART NO. | QTY. | DESCRIPTION                    | REF NO. | PART NO.  | QTY. | DESCRIPTION                             |
|---------|----------|------|--------------------------------|---------|-----------|------|---|
| 1       | M-5384   | 1    | 25.5 HP. KAWASAKI ENGINE       | 16      | F-2120    | 2    | FHCS, 5/16-18 X 3/4" GR5                |
| -       | M-5335   | 1    | 27 HP. KOHLER ENGINE           | 17      | F-2125    | 4    | FHCS, 3/8-16x1-1/4", YZ, GR5 (KAWASAKI) |
| 2       | P-10077  | 1    | DECAL, "CLEAN"                 | -       | F-2040    | 4    | HFCS, 3/8-16x1-1/2", THRD FORM (KOHLER) |
| 3       | H-2287   | 1    | CHOKE CABLE (KAWASAKI)         | 18      | F-1228    | 3    | 1/4-20 NYLOC SETSCREW                   |
| -       | H-2404   | 1    | CHOKE CABLE (KOHLER)           | 19      | F-1019-03 | 4    | 3/8" LOCK WASHER                        |
| 4       | H-2610   | 1    | THROTTLE CABLE                 | 20      | 700-026P  | 1    | CLUTCH STOP                             |
| 5       | H-2589   | 1    | OIL DRAIN (KOHLER)             | 21      | F-1125    | 4    | 5/16-18 LOCK NUT                        |
| -       | H-2590   | 1    | OIL DRAIN (KAWASAKI)           | 22      | D-3907-01 | 1    | PUMP, 12CC, RH                          |
| 6       | E-6307   | 1    | OIL PRESSURE SWITCH (KAWASAKI) | 23      | D-3907-02 | 1    | PUMP, 12CC LH                           |
| 7       | H-2578   | 1    | MUFFLER ASSEMBLY (KAWASAKI)    | 24      | F-1009-03 | 8    | 3/8" FLAT WASHER                        |
| 8       | D-3524   | 1    | V-BELT A-71 KEVLAR             | 25      | F-1005-03 | 4    | 3/8-16 STOVER NUT                       |
| 9       | 663-176W | 1    | MOTOR MOUNT                    | 26      | 621-113P  | 1    | KEY, 1/4" SQ. X 1 1/4"                  |
| 10      | F-1737   | 2    | 6mm X 16mm BOLT GR. 5          | 27      | F-2113    | 1    | 7/16-20x2-1/2" CAPSCREW, GR8            |
| 11      | F-1738   | 2    | 6mm SPRING WASHER              | 28      | E-6532    | 1    | 1 1/8" CLUTCH BRAKE                     |
| 12      | F-1736   | 2    | WASHER, .840 X .246 X .125     | 29      | 647-085P  | 1    | GROUND STRAP (KAWASAKI)                 |
| 13      | D-3541   | 2    | KEY - 5mm x 20mm               | 30      | F-2043    | 1    | SPACER (KAWASAKI)                       |
| 14      | 647-147P | 2    | HYDRO PUMP PULLEY              | 31      | 647-148P  | 1    | MOTOR PULLEY                            |
| 15      | F-2125   | 4    | FHCS, 3/8-16 X 1 1/4" GR5      |         |           |      |   |

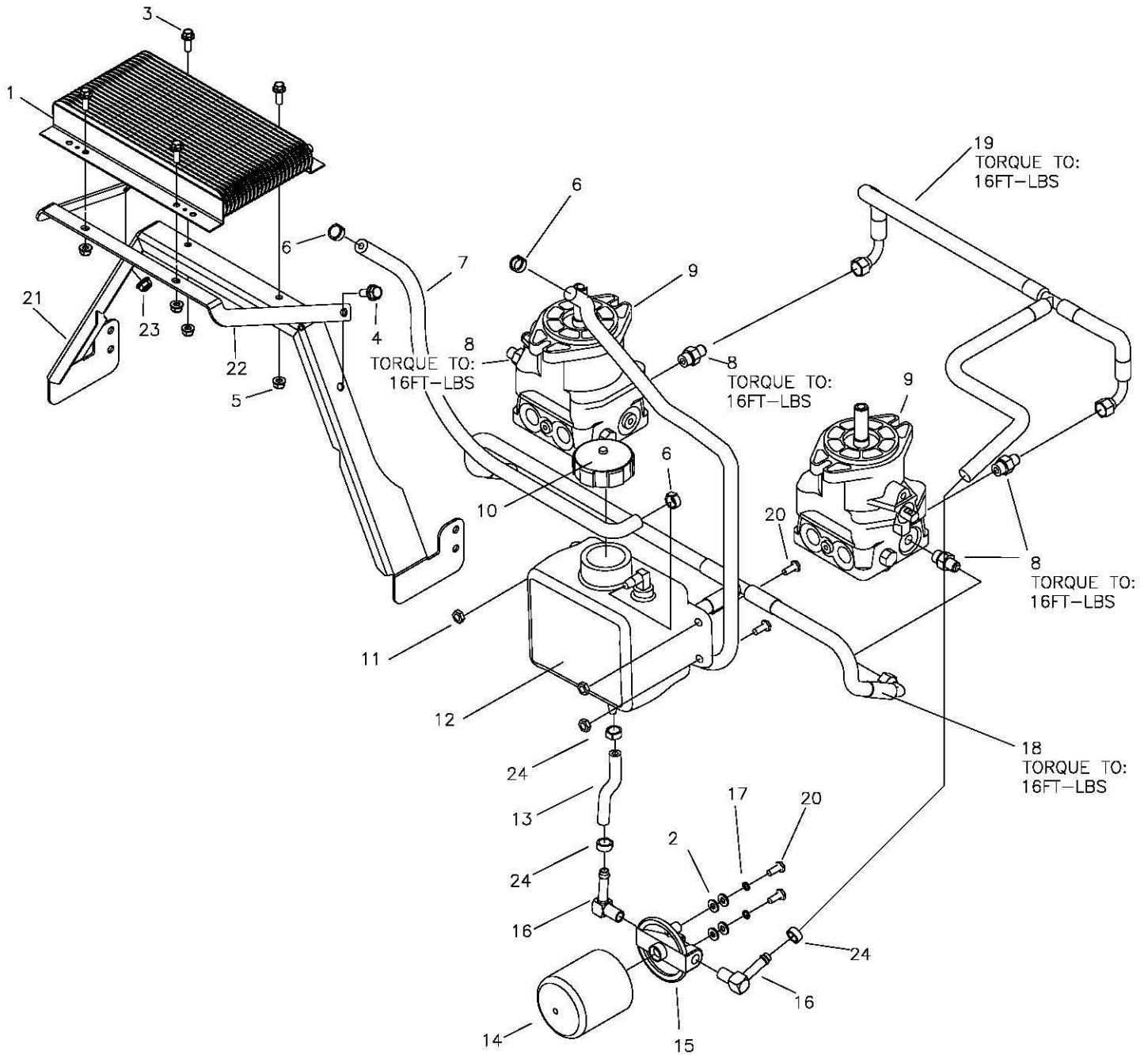
# HIGH PRESSURE LINES & FITTINGS



**VIEWED FROM FRONT RIGHT**

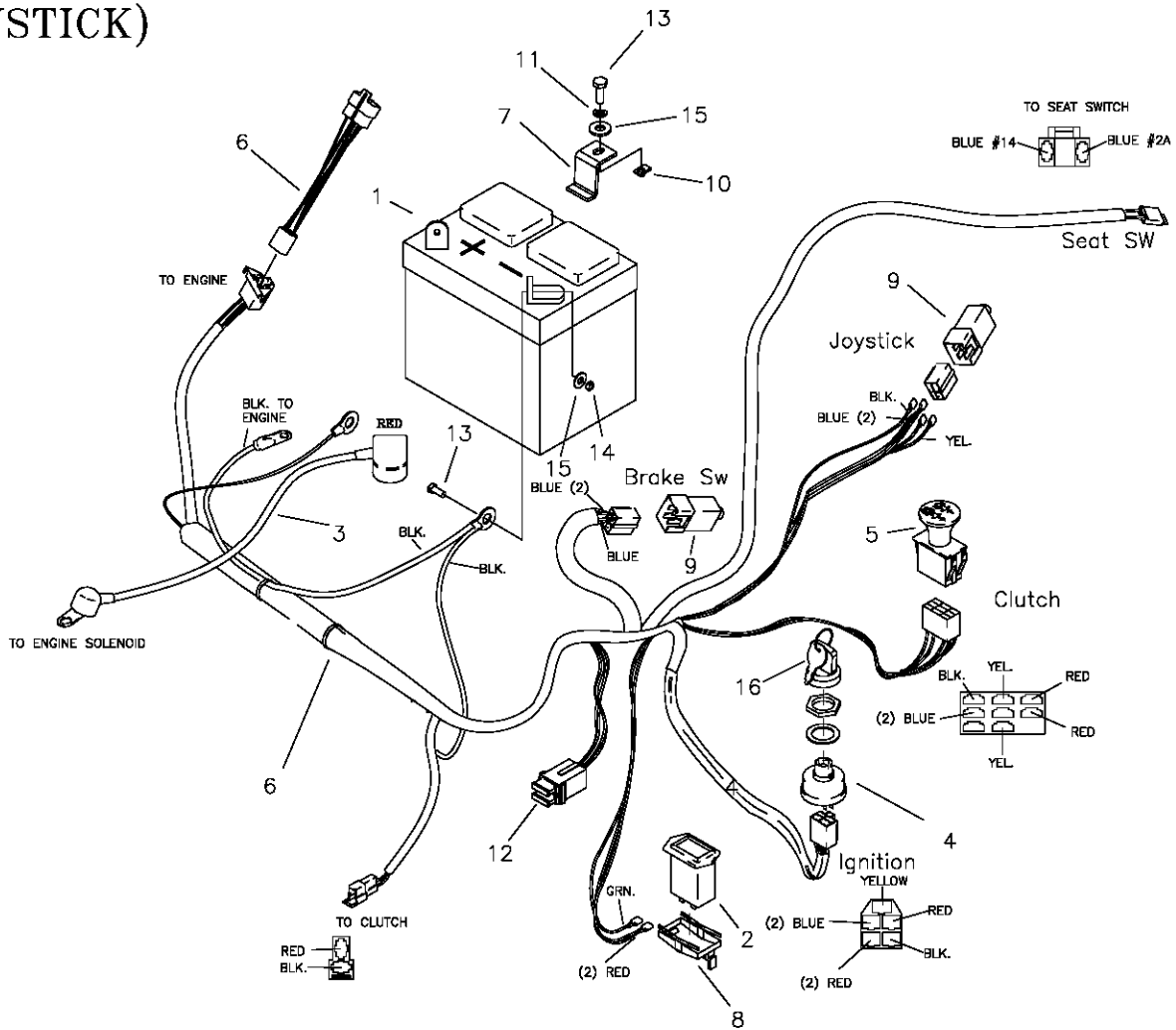
| REF NO. | PART NO.  | QTY. | DESCRIPTION                    |
|---------|-----------|------|--------------------------------|
| -       | H-2846    | 1    | CHARGER PLUMBING KIT (ASS'Y)   |
| 1       | D-3888    | 2    | WHEEL MOTOR PARKER "TE" SERIES |
| 2       | H-2319    | 4    | FITTING, STRIGHT, 7/8-14       |
| 3       | H-2491    | 2    | TUBE ASS'Y, LH. FORWARD        |
| 4       | H-2492    | 2    | TUBE ASS'Y, LH. REVERSE        |
| 5       | -----     | -    | SEE PAGE 23                    |
| 6       | F-1015-09 | 2    | 1/4-20 X 2" BOLT GR. 5         |
| 7       | F-1158    | 2    | 1/4-20 STOVER NUT              |
| 8       | H-2436    | 4    | FITTING, STRAIGHT, 3/4" X 1/2" |

# OIL RETURN LINES & COOLER ASSEMBLY



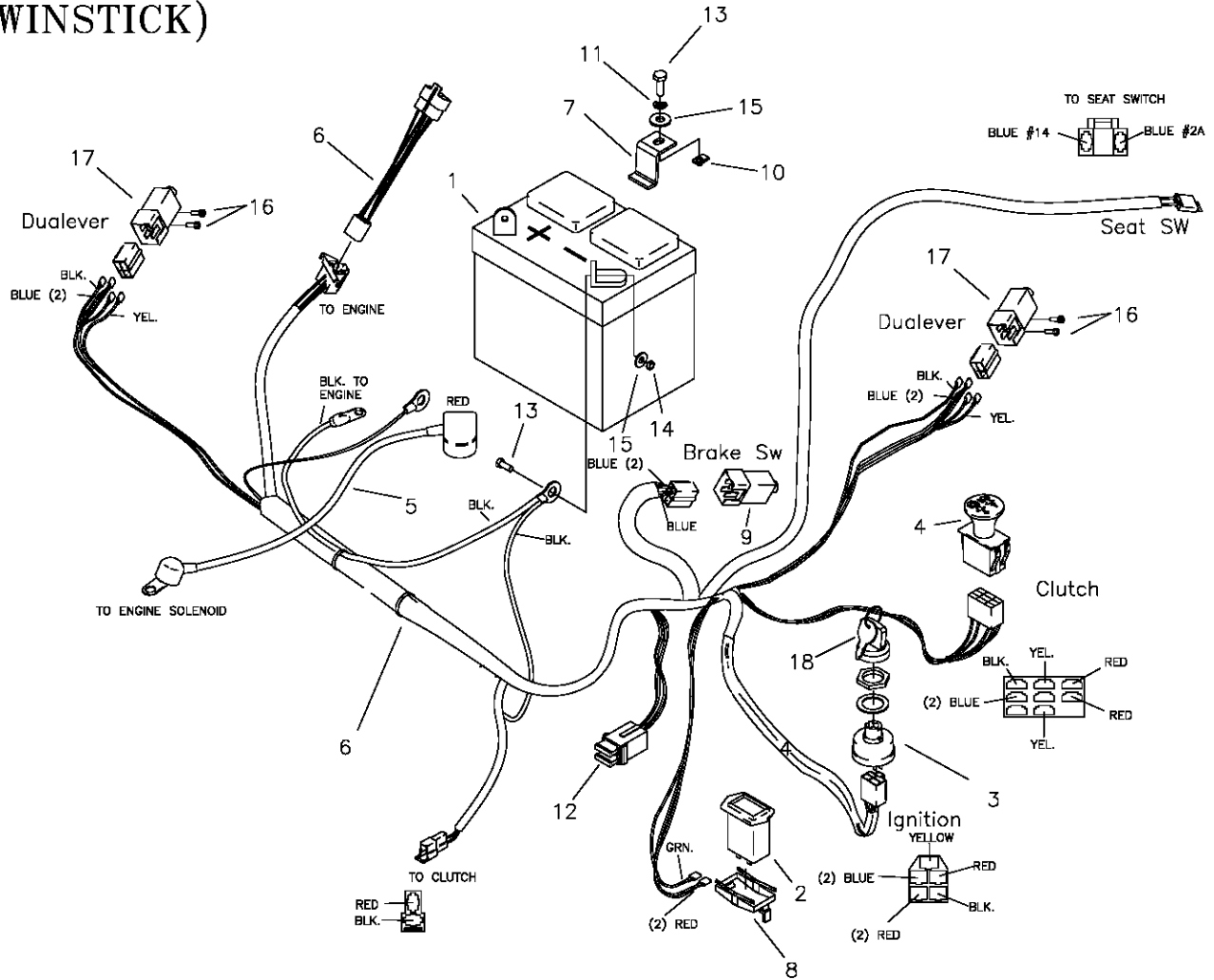
| REF NO. | PART NO.  | QTY. | DESCRIPTION                 | REF NO. | PART NO.  | QTY. | DESCRIPTION                 |
|---------|-----------|------|-----------------------------|---------|-----------|------|-----------------------------|
| 1       | H-2853    | 1    | OIL COOLER                  | 13      | H-2847    | 1    | 20" HOSE, 3/8 id. HI TEMP.  |
| 2       | F-1009-01 | 8    | 1/4" WASHER                 | 14      | H-2859    | 1    | OIL FILTER                  |
| 3       | F-2162    | 6    | FHCS, 1/4-20x3/4", YZ, GR5  | 15      | H-2858    | 1    | FILTER BASE                 |
| 4       | F-2120    | 2    | FHCS, 5/16-18x3/4", YZ, GR5 | 16      | H-2860    | 1    | HOSE BARB 90 DEG. ELBOW     |
| 5       | F-2132    | 4    | NUT, 1/4-20, FLANGED NYLOC  | 17      | F-1019-01 | 2    | 1/4" LOCK WASHER            |
| 6       | H-2282    | 3    | HOSE CLAMP                  | 18      | H-2849    | 1    | RETURN HOSE TEE ASSEMBLY    |
| 7       | H-2438    | 1    | 24" HOSE, 3/8" ID. HI TEMP. | 19      | H-2848    | 1    | SUCTION HOSE TEE ASSEMBLY   |
| 8       | H-2330    | 4    | 9/16" ADAPTER               | 20      | F-1015-15 | 4    | 5/16-18 x 1" CAPSCREW       |
| 9       | -----     | -    | SEE PAGE 23                 | 21      | 663-202P  | 1    | BRACKET, COOLER             |
| 10      | H-2120    | 1    | VENT CAP                    | 22      | 663-203P  | 1    | BRACE, COOLER               |
| 11      | F-1125    | 2    | 5/16-18 STOVER NUT          | 23      | F-2063    | 2    | NUT, 5/16-18, FLANGED NYLOC |
| 12      | H-2805    | 1    | OIL TANK                    | 24      | H-2535    | 3    | 7/8" CLAMP                  |

# E-6415 WIRE HARNESS & RELATED PARTS (JOYSTICK)



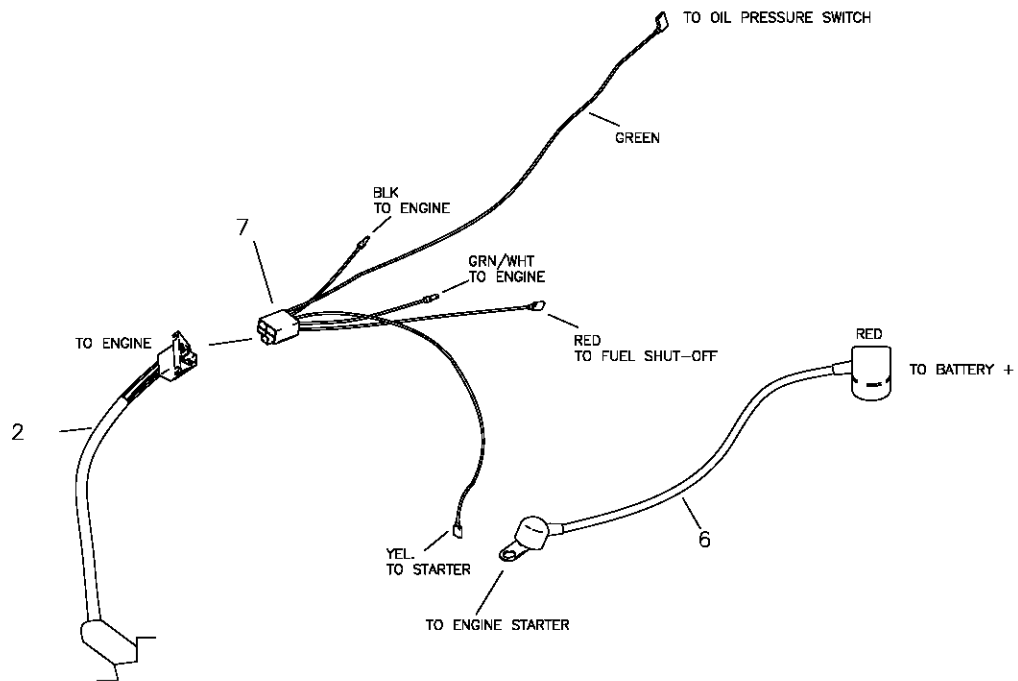
| REF NO. | PART NO.  | QTY. | DESCRIPTION                    |
|---------|-----------|------|--------------------------------|
| -       | -----     | 1    | WIRE HARNESS (JOYSTICK)        |
| 1       | E-6271    | 1    | BATTERY                        |
| 2       | E-5878    | 1    | HOUR METER                     |
| 3       | E-6418    | 1    | CABLE, BATTERY TO SOLENOID     |
| 4       | E-5873    | 1    | START SWITCH                   |
| 5       | E-6403    | 1    | CLUTCH SWITCH                  |
| 6       | E-6417    | 1    | WIRE HARNESS ADAPTER, KAWASAKI |
| 7       | 659-137P  | 1    | BATTERY HOLD DOWN              |
| 8       | E-6369    | 1    | RETAINER CLIP                  |
| 9       | E-6297    | 2    | BRAKE SWITCH                   |
| 10      | F-1858    | 1    | 1/4-20 U-NUT                   |
| 11      | F-1019-01 | 1    | 1/4" LOCK WASHER               |
| 12      | E-6207    | 2    | FUSE, #ATC-30                  |
| 13      | F-1538    | 3    | 1/4-20 X 3/4" GR. 5            |
| 14      | F-1158    | 2    | 1/4-20 LOCK NUT                |
| 15      | F-1009-01 | 5    | 1/4" FLAT WASHER               |
| 16      | E-6445    | 1    | KEY, SET                       |

# E-6416 WIRE HARNESS & RELATED PARTS (TWINSTICK)



| REF NO. | PART NO.  | QTY. | DESCRIPTION                    |
|---------|-----------|------|--------------------------------|
| —       | -----     | 1    | WIRE HARNESS (TWINSTICK)       |
| 1       | E-6271    | 1    | BATTERY                        |
| 2       | E-5878    | 1    | HOUR METER                     |
| 3       | E-5873    | 1    | START SWITCH                   |
| 4       | E-6403    | 1    | CLUTCH SWITCH                  |
| 5       | E-6418    | 1    | CABLE, BATTERY TO SOLENOID     |
| 6       | E-6417    | 1    | WIRE HARNESS ADAPTER, KAWASAKI |
| 7       | 659-137P  | 1    | BATTERY HOLD DOWN              |
| 8       | E-6369    | 1    | RETAINER CLIP                  |
| 9       | E-6297    | 3    | BRAKE SWITCH                   |
| 10      | F-1858    | 1    | 1/4-20 U-NUT                   |
| 11      | F-1019-01 | 1    | 1/4" LOCK WASHER               |
| 12      | E-6207    | 2    | FUSE, #ATC-30                  |
| 13      | F-1538    | 3    | 1/4-20 X 3/4" GR. 5            |
| 14      | F-1158    | 2    | 1/4-20 LOCK NUT                |
| 15      | F-1009-01 | 5    | 1/4" FLAT WASHER               |
| 16      | F-1994    | 4    | #10 SCREW, 5/8" LONG           |
| 17      | 647-112A  | 2    | SWITCH ARM ASSEMBLY            |
| 18      | E-6445    | 1    | KEY, SET                       |

# E-6417 KAWASAKI ADAPTER HARNESS & RELATED PARTS



| REF NO. | PART NO. | QTY. | DESCRIPTION                |
|---------|----------|------|----------------------------|
| 1       | -----    | 1    | KAWASAKI HARNESS ADAPTER   |
| 2       | E-6415   | 1    | WIRE HARNESS (JOYSTICK)    |
| -       | E-6416   | 1    | WIRE HARNESS (TWINSTICK)   |
| 6       | E-6418   | 1    | CABLE, BATTERY TO SOLENOID |











